

Mosman Council Public Domain Manual

November 2020

Prepared by:



and

spackman mossop michaelis

115 Flinders Street
Surry Hills NSW 2010
Ph: +61 2 9361 4549
info@sm2group.com.au

00 Contents

1. Introduction	3
Background	3
Purpose	3
Scope	3
Objectives	3
2. Mosman's Public Domain	5
History	5
Urban	7
Coastal	9
Parks	11
3. Public Domain Palette	13
Colour Palette	15
Precinct Patterns	16
Picnic Setting	17
Seating	18
Paving	23
Kerbs and edging	26
Lighting	29
Barbecue	33
Rubbish Bins	34
Bollards	36
Bike Hoops	40
Outdoor Shower	42
Banner Poles	43
Drinking fountains	47
Fence	48
Bus shelter	50

BLANK PAGE

01 Introduction

Background

Mosman occupies some 8.7 square kilometres located on Middle Head of Sydney Harbour to the northeast of Sydney CBD. Mosman's unique visual character is shaped by the interplay of its harbour setting, topography, natural bushland, busy shopping strips and suburban neighbourhoods. The major thoroughfares of Military and Spit Roads both divide the area and connect residents of Mosman and those from further north to other parts of Sydney.

The Public Domain Manual is an initiative from Mosman Council to assist with the delivery of associated tasks that relate to the public domain. The new public domain items contained in the manual respond to the recent *Signage Strategy and Style Guidelines* developed for Mosman Council in 2017. The designs, colours and materials of each item within the Manual were chosen to complement the style and colour of the signs, as well as each other to provide a contemporary suite of public domain elements.

Purpose

The Public Domain Manual has been developed to ensure consistent design and maintenance of all parks and urban spaces within Mosman. The manual responds to existing conditions and previous work while addressing future intent and planning requirements.

The Manual outlines Mosman Council's future approach to its public domain, sets out the quality and standard of what is expected in the public realm and contains a collection of new furniture and fixtures for the Local Government Area (LGA). A number of existing items are also included for reference and application where appropriate.

The manual provides details of suitable, like-for-like replacements for existing items that have reached their end of life and are not included in this manual. It is intended that items in the public domain are upgraded overtime with more suitable, quality products that contribute to an overall improvement to Mosman's public domain.

Scope

The Mosman Public Domain Manual sets guidelines, design coordination and material palettes for all public domain, streetscape and maintenance works in the Mosman LGA.

The manual has been written for a broad audience and is intended to be used by the residents, designers, developers, building owners and their agents (such as urban designers and landscape architects). In addition, the manual will be used by planners and other staff within Mosman Council to assess proposed development applications within the LGA.

The 'Public Domain Manual' applies to all work carried out in the public domain which are under or will revert to the ownership, care, control and management of Mosman Council.

The manual is not intended to initiate an extensive program of works but will be used to inform any works within the public domain that occur under Council's normal operations. This manual works in conjunction with Council's standard details to ensure new works implemented over time are cohesive and consistent.

All works must comply with Australian Standards and relevant approval authorities. Material choice should take into consideration Council's actions to reduce emissions, as detailed in the Climate Change Action Plan.

Objectives

The key objectives for the Public Domain Manual are to:

- Establish a distinctive and consistent approach to the public domain; throughout Mosman's parks, residential streets, urban centres, bushland and coastal areas;
- Deliver efficiencies to the design, documentation, procurement and construction of works in the public domain;
- Respond to significant, sensitive and/or heritage areas or items;
- Provide transparency to the selection of materials; and
- Create public spaces that are attractive, comfortable, accessible and easy to navigate.

BLANK PAGE

02 Mosman's Public Domain



Clifton Gardens swimming enclosure, circa 1909



Balmoral Beach northern end, circa 1950



Tram at Athol Wharf, circa 1957



Ferry at Mosman Bay, circa 1920

History

Prior to colonial occupation of Sydney in 1788, the Mosman area was home to Aboriginal Australians for tens of thousands of years up to that time, living on a rich supply of food resources from the extensive shoreline and wooded headlands. HMS Sirius, flagship of the First Fleet, was careened in 1789 at what is now known as Mosman Bay. By 1815 most of the original inhabitants of this area had either died of disease or moved away.

The late 1820s to 1840s a flourishing whaling industry brought growth to the area. Land grants led to settlement and road construction over the second half of this century, with Mosman Public School, the Congregational Church, postal and telegraph services, the water supply and an electric tram service all established by 1893.

At the turn of the century, Mosman prospered as building activity intensified. Rows of shops and magnificent federation style homes were built by the increasing population, attracted to the natural charm and vistas of the unique bushland and water surrounds. Council policies zealously maintained parks and reserves with constant effort to enhance the beauty of the natural landscape.

In the late 1950s public concern focused on the number and type of flat developments occurring, i.e. multi-storey blocks on prominent sites. Population rose in the 1960s so new flats were built to cope with housing shortages throughout Sydney. At the end of the 1960s, Council introduced controls and restrictions and by 1973 high-rise development was banned.

Today's challenge is to establish a strong connection to the past by which this vibrant local character can be protected into the future whilst at the same time establishing a framework for modern development within the Municipality.

PRECINCT

URBAN

ID	NAME
Urban - Major Centres	
A	Spit Junction
B	Mosman Junction
C	Mosman Square
Urban - Minor Centres	
D	Spofforth / Macpherson
E	Lower Spofforth
F	Avenue Road

COASTAL

ID	NAME
Coastal - Major	
G	The Spit
H	Balmoral Esplanade
I	Clifton Gardens Reserve
Coastal - Minor	
J	Mosman Bay
K	Rosherville Reserve
L	Sirius Cove Reserve

PARKS

ID	NAME
Parks - Major	
N	Balmoral South
O	Mosman Park
P	Rawson Park



PARKS

ID	NAME	ATTRIBUTES*
Parks - Minor		
1	Balmoral Beach Reserve (Edwards Beach)	Be, Lo
2	Bay Street Park	Bu, Ha, Lo, Pl
3	Carroll's Lookout	Bu, Lo, Po
4	Cartef park	Po
5	Countess Park	Pl, Po
6	Curraghbeena Park	Lo, Pl
7	Drill Hall Common	Bu, Sp
8	Ellery Park	Ho, Lo, Po
9	Georges Heights Oval	Bu, Lo, Sp
10	Hampshire Park	Po
11	Harnett Park	Bu, Ha, Lo
12	Hunter Park	Pl
13	Joel's Reserve	Bu, Ha, Lo
14	Lawry Plunkett Reserve	Bu
15	Leahy Park	Be
16	Little Ashton Reserve	Bu
17	Memory Park	Pl, Po
18	Parriwi Lighthouse	Lo
19	Parriwi Park	Bu, Lo
20	Plunkett Park	Bu, Pl
21	Quakers Hat Park	Bu, Lo
22	Quakers Hat South	Bu, Ha, Lo
23	Quakers Hat West	Bu, Lo
24	Reginald Street Park	Pl, Po
25	Reid Park	Bu, Ha, Lo, Pl
26	Reservoir Park	Po
27	Spit West Reserve	Ha, Lo, Pl, Sp
28	Stan McCabe Park	Bu, Ha, Lo

*** KEY**

- Be Beach-side
- Bu Bushland
- Ha Harbour-side
- Lo Lookout
- Pl Playground
- Po Pocket
- Sp Sports-field

Figure 1. Map of urban, coastal and park precinct

Urban

Mosman has a number of minor centres, these small centres serve the local community. Minor centres provide valuable services, facilities and meeting areas that are easily accessed by residents. These centres should use materials that are consistent with other areas of Mosman but also afford an opportunity for unique and creative elements to accentuate the character and diversity of that particular centre.

Major Centres

Spit Junction

Spit Junction is a significant transport corridor where Military Road intersects with Spit Road, connecting the Northern Beaches with North Sydney and the city. The area is a plateau with 'rib' roads from the ridge top spine of Spit and Military Roads with north, south, east and west aspects. The subdivision pattern is linear following the ridge.

The existing character of the corridor reflects the roadway, transport and mixed residential and commercial functions. Known as Spit Junction Business Centre in Mosman Business Centres Development Control Plan (DCP) 2012, it is the primary business and retail centre, defined by Cowles Road to the west and Ourimbah Road to the north-east. Business development along the Military Road corridor to Cremorne is the predominant theme of this centre.



Mosman Junction

Mosman Junction is the main retail area of Mosman and connects with Spit Junction and Mosman Square Urban Centres. It is Mosman's premier retail strip and business hub formed along either side of Military Road which is a major traffic route to and from the southern and eastern areas of Mosman. The commercial development is broken up with some residential buildings and Mosman High School.

Mosman Junction Business Centre, as described in Mosman Business Centres DCP 2012, is contained entirely within the Military Road Heritage Conservation Area.



Mosman Square

Mosman Square is the main civic area of Mosman and is the location of the Civic Centre, Seniors Centre, Art Gallery, Library, Youth Centre and village green. It links upper Military Road with Mosman Park and War Memorial through a series of pedestrian plazas and laneways. Mosman Square links Spit Junction and Mosman Junction Urban Centres. Parts of Mosman Square are contained within the Military Road and the Crescent Heritage Conservation Areas.



Minor Centres

Cremorne Junction

Cremorne Junction Business Centre is located on the western boundary along the corners of Spofforth Street, Macpherson Street and Military Rd. It is a retail area on along the Military Road corridor.

The majority of shops are located to the west in Cremorne governed by North Sydney Council. This location represents a significant gateway into Mosman and provides an opportunity to improve the public domain.



Lower Spofforth

Lower Spofforth is a small retail area stretching from Brierley Street to Calliope Street; it is made up predominately of cafés and food outlets with some residential houses and apartments.

It is named Spofforth Street Business Centre under the Mosman Business Centre DCP 2012. It is located on the boundary with North Sydney Council at the corner of Rangers Road, a key traffic route. The majority of shops are located on the eastern side within the Mosman Council area.



Avenue Road

The Avenue Road centre is a small retail area made up of predominately cafés and food outlets. It located at a busy intersection at the Avenue Road and Canrobert St roundabout. It services the local residents and is close to Memory Park.

The centre falls within the Avenue Road and Mosman Bay Wharf Business Centre under the Mosman Business Centres DCP 2012.



Coastal

Coastal areas provide a range of unique community uses and amenities which are connected to notable landscapes and open spaces. These places often include some level of commercial and retail activity which distinguish them from other coastal areas. The Major Coastal areas receive a high level of visitation from both the local community, out of area visitors and tourists so materials used have to be both of high quality and robust.

Coastal Major

The Spit

The Spit is named after the sandbar that extends beyond Beauty Point. Spit Road and the Spit Bridge are located along this geographical feature and represent the only crossing over Middle Harbour in Mosman. The Spit is a focal point for water-based activities on Middle Harbour, where there are a series of marinas and associated businesses. Spit Road divides the locality into two areas; East and West. Spit East includes the majority of the commercial activity and the Spit to Manly section of the Bondi to Manly Walk. Spit West provides open space recreational opportunities and walking links to Beauty Point and Quakers Hat Bay.

Balmoral Esplanade

Balmoral Esplanade is a combination of retail areas, open space and residential development. The area is Mosman's premier location with a series of significant sites and locations. The urban form is unique to the area with a series of bespoke items and distinctive materials and finishes.

Clifton Gardens Reserve

Clifton Gardens Reserve is a harbour foreshore park with a south-east facing beach, nestled between two steep ridges. The topography of the area provides the reserve with a sense of seclusion, which is enhanced by the surrounding native bushland.



Coastal Minor

Mosman Bay

Mosman Bay, located on the southeast corner of Mosman, shares a boundary with North Sydney Council along Cremorne Point on the eastern side of the bay. The bay has strong history of maritime and fishing practices from both pre and post-colonial times. Today the bay is the major ferry link to Circular Quay from Mosman Wharf, South Mosman Wharf and Old Cremorne Wharf (located in North Sydney Council). There is a small amount of commercial activity, open space recreation and major walking links along the harbour.



Rosherville Reserve

Rosherville Reserve is a large northeast facing grass reserve surrounded by natural bushland and adjoining Chinaman's Beach on Middle Harbour. The area is predominantly used for passive recreation, boating, swimming and walking. There is no commercial activity in the area, a small carpark and amenities block are located on the northern side of the reserve.



Sirius Cove Reserve

Sirius Cove Reserve, is located in the south of Mosman and is predominantly used for passive recreation and dog walking. The reserve is flanked by natural bushland and is a walking link between Mosman Bay, Curlew Camp, Taronga Zoo and Sydney Harbour National Park sections of the Bondi to Manly Walk.



Parks

Mosman has over twenty five parks and open spaces, it also contains over 35 hectares of bushland. It is famous for its natural landscape and harbour views but it also has a variety of parks with diverse characters and purposes.

Parks Major

Mosman Park

Centrally located, Mosman Park is the main civic park in the local government area, with a mix of land uses immediately surrounding the park including; Mosman Youth Centre, Mosman Library, Council administrative building, Mosman Public School, Mosman Bowling Club, Mosman Community Centre and Art Gallery and a mix of low and medium density housing.

Due to the location, the park is an important pedestrian thoroughfare with multiple paths throughout. The main features in the park include a war memorial, a popular children's playground, Alan Border Oval and pavilion. The oval is frequently used by local schools, sporting clubs and informal groups for competition, training and play space. Main users of the oval are Mosman Cricket Club (summer) and Mosman Soccer Club (winter).



Rawson Park

Rawson Park is a heritage item with regional significance that is highly valued by the community. Located between Cross Street, Alexander Avenue and Middle Head Road, the park is on a ridgeline at one of the highest points in Mosman allowing panoramic views over Sydney and Middle Harbour. Rawson Park provides for a range of passive and active recreation uses including rugby, cricket, tennis, croquet, bushwalking and off-leash dog walking.

The park is made up of; Rawson Oval and pavilion at the upper, western end; Eastern Parklands located on the upper level with grass areas, the Scotland-Australia Cairn and the Anderson Memorial; Lower Area located on the northern side adjoining Croquet Lane includes tennis courts and croquet lawns with associated clubhouses; Bradley Bushland Reserve occupies the north-east area.



Balmoral South

Located at the southern end of Balmoral beach, Balmoral Oval is set amongst bushland slopes, it serves as an active recreation space supporting organised (cricket, soccer and school sport) and non organised activities (walking, cycling, jogging and outdoor exercise). A Scout Hall and Sailing Club are located on the eastern side of the park, which make use of the surrounding park and beach. Access is via the public carpark that serves both the oval, beach and associated clubs



Other Parks and Open Spaces

Below is a list of attributes that helps categorise how each park is used and maintained, parks may have one or multiple attributes.

Beach-side

Located near beaches, with either a seawall or dune network providing an edge to the park and rocky outcrops at either end of the beach. Visitation at these parks is high all year, particularly in warmer months and therefore requires a high level of maintenance. Vegetation is fairly limited due to difficulties with front-line coastal environments.

Bushland

Bushland is a significant characteristic in Mosman and many parks feature some bushland reserve or are adjacent to bushland or National Parks. Maintaining native flora and fauna, walking tracks and controlling the spread of weeds is the main priority for bushland areas. Generally materials used in these areas are more subdued and reflect the natural materials found on site.

Harbour-side

Harbourside parks are located along the water's edge bounded by a seawall but have limited or no water access. Other water related services or amenities, such as ferry wharves, boathouses, and marinas are located at or near these parks.

Lookouts

Being located on headland Mosman affords significant views across Sydney harbour in all directions. Many views can be enjoyed at lookouts strategically located on public land. The use of these areas varies; some lookouts will attract large crowds during certain events such as New Years Eve.

Playground

Playgrounds are a key feature at many parks, each playground is unique but they all have similar requirements and maintenance needs.

Pocket

These are small parks designed to service the needs of the local community. They are generally located in residential areas with well-defined edges and simple elements intended for short visits.

Sports-fields

Flat open grasslands that are used for formal recreation. Specific sporting needs determine the size and layout of these spaces; surplus space provides opportunity for other informal uses and vegetation types. Sports-fields have a high level of maintenance to ensure good playing conditions for a given sport.



03

Public Domain Palette

This section outlines Council's future approach to Mosman's public domain. It sets out the quality and standard of what is expected in terms of furniture and fixtures for the different open space areas throughout the municipality. A number of existing items are also included for reference and application where appropriate.

The new public domain items respond to the *Signage Strategy and Style Guidelines* developed for Mosman Council in 2017. The designs, colours and materials of each item within the Manual were chosen to complement the style and colour of the signs, as well as each other to provide a contemporary suite public domain elements. These include three themed patterns for the signs used in their respective locations which are:

- Urban
- Coastal
- Parks

Suggestions of where each of the items are best located within these three categories are included in this section, in addition to appropriate colour palettes.

BLANK PAGE

Colour Palette

2-Pac painted finish

Specification

Paint - Dulux Ticking; or
Paint - Dulux Domino

Precinct

Urban
Coastal
Parks

Proprietary product

Ticking (GR20 / SG6G7)
Domino (SG6G8)

Supplier

Dulux Australia
<http://www.dulux.com.au>

Notes

Matt preferred, satin may be acceptable but no gloss.

Anodised Finish

Specification

Satin steel blue from Universal Anodises

Precinct

Urban
Coastal
Parks

Proprietary product

Satin Steel Blue

Supplier

Universal Anodises
<http://www.universalanodisers.com.au>

Notes

Recommended anodising coat thickness:
– Interior: 10 microns
– Exterior: Inland 20 microns / coastal 25 microns

Powder Coated Finish

Specification

Ironstone Matt 2607556M

Precinct

Urban
Coastal
Parks

Proprietary product

Ironstone Matt 2607556M

Supplier

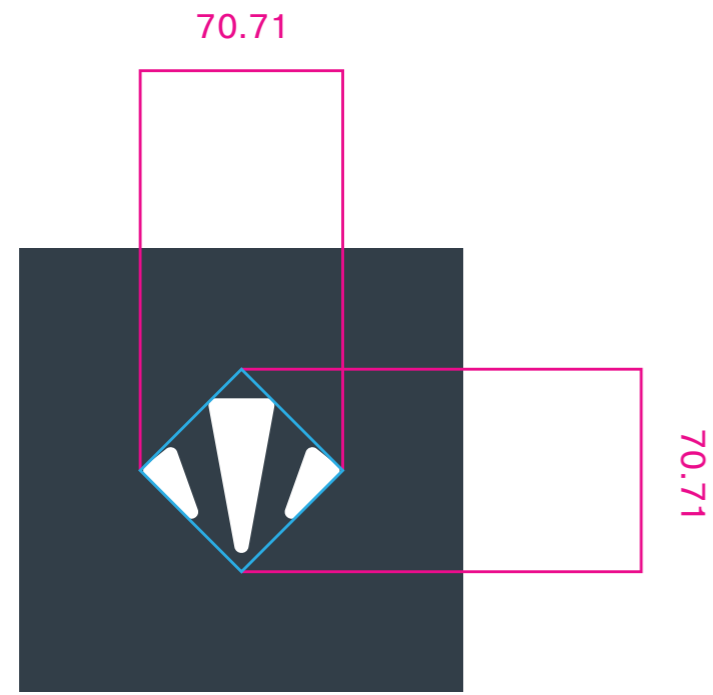
Dulux Australia
<http://www.dulux.com.au>

Notes

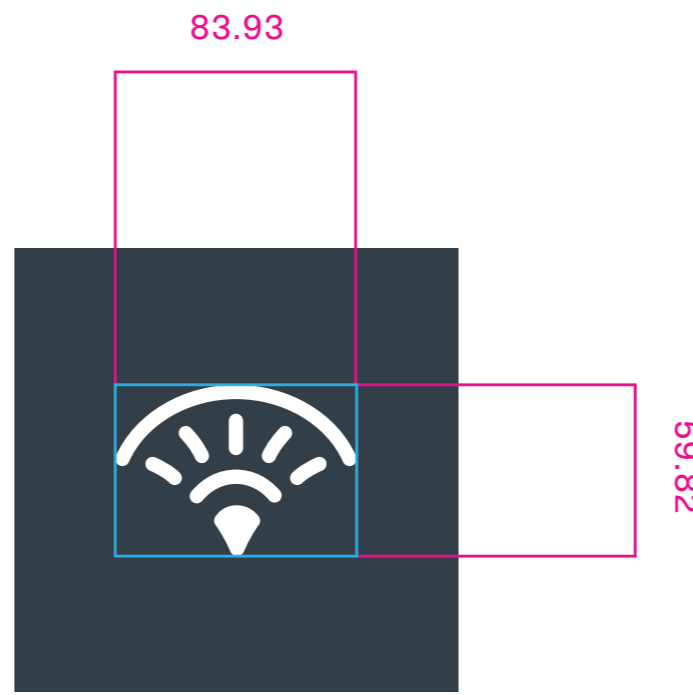
Duralloy 10 year rated finish for aluminium architectural BCA Class 1 Class 10.
Equivalent in durability to what's on the current shelters with the same ratings.



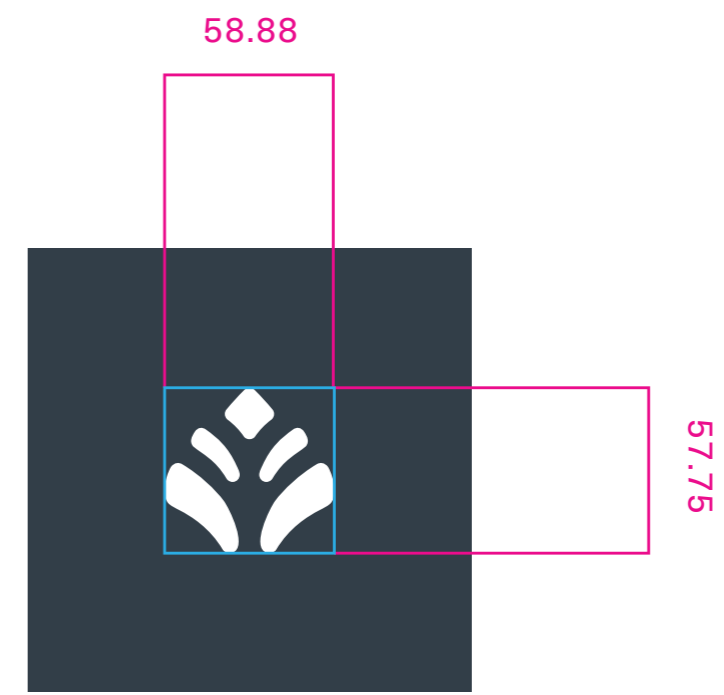
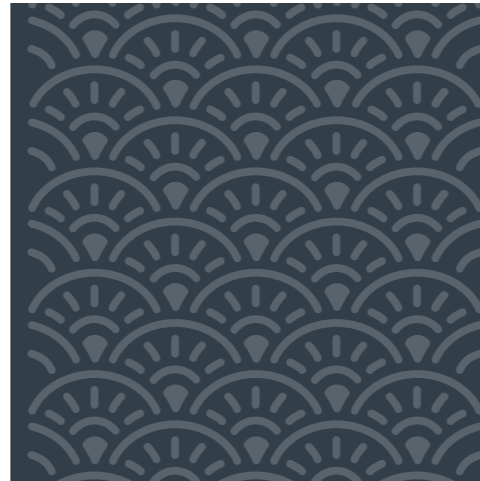
Precinct Patterns



Urban Pattern



Coastal Pattern



Parks Pattern



Seating

Type 01 Picnic Setting

Specification

The Classic Plaza Table and Bench features slender battens made from eco-certified hardwood. Tailored end-access to accommodate a wheelchair.

Dimensions: 1750mm (L) x 720mm (H) x 2090mm (D)

Materials

Eco-certified Jarrah Hardwood battens
Stainless Steel frame

Finishes

Battens oiled - Jarrah colour
Frame finished in Black colour

Precinct

Parks
Coastal

Proprietary product

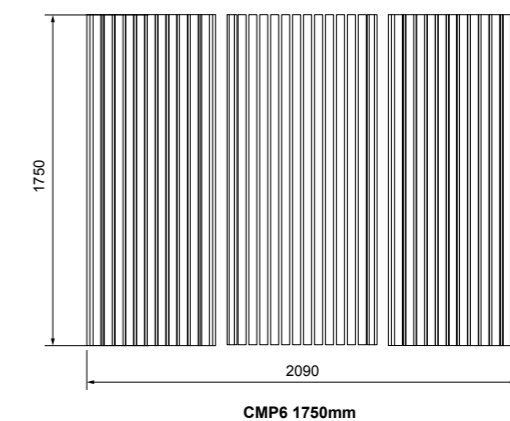
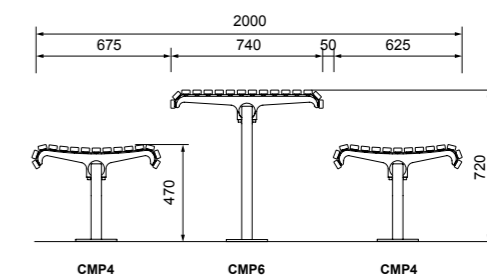
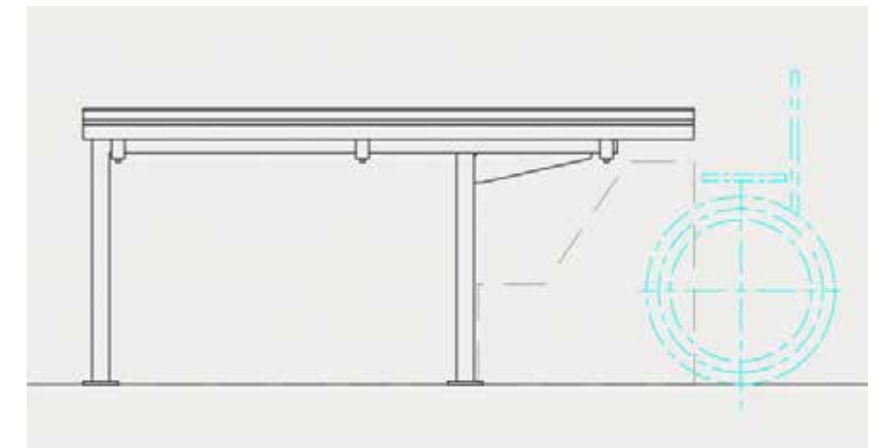
Classic Plaza Table and Bench

Supplier

Street Furniture Australia (<http://www.streetfurniture.com>)
Oil - Nature's Timber Oil (<http://www.intergrain.com.au>)

Installation requirements

Surface or Subsurface fixed



Seating

Type 01 Seat

Specification

The Classic Promenade Seat features slender battens in a wave profile with arm rests.

Dimensions: 1750mm (L) x 800mm (H) x 725mm (D)

Materials

Eco-certified Jarrah Hardwood battens
Stainless Steel frame

Finishes

Battens oiled - Jarrah colour
Custom Logo discs applied to each side of frame
Frame finished in Night Sky Satin (Black)

Precinct

Urban

Proprietary product

Classic Promenade Seat

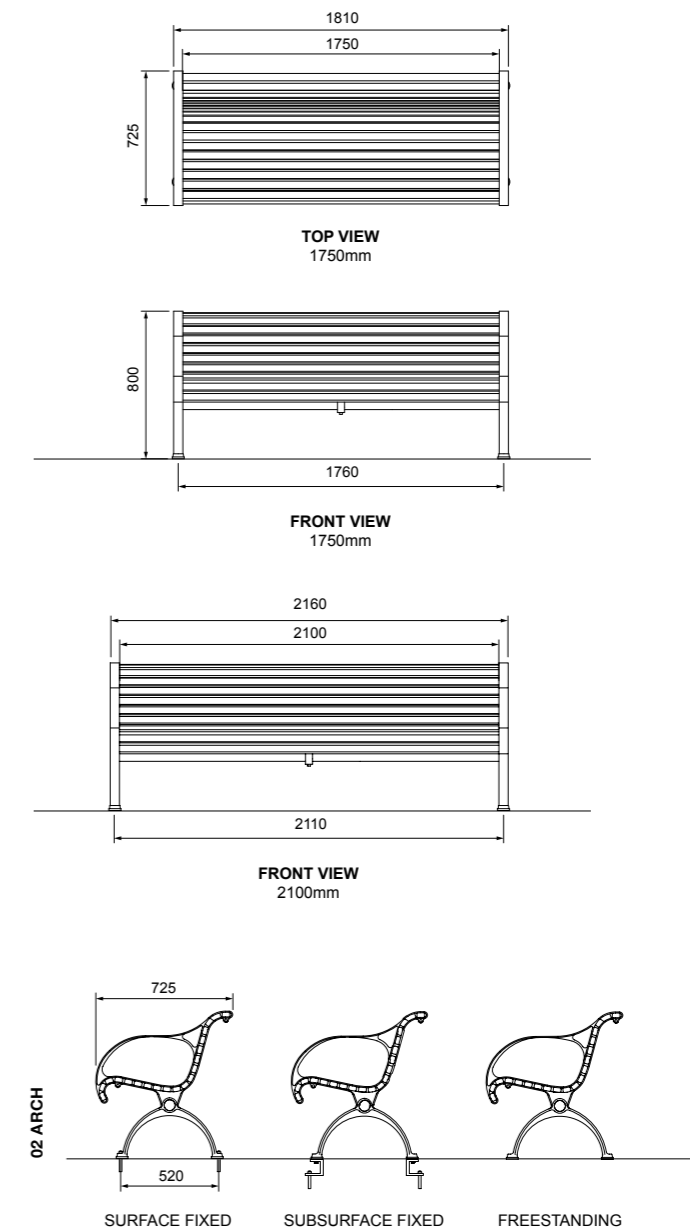
Supplier

Street Furniture Australia (<http://www.streetfurniture.com>)

Oil - Nature's Timber Oil (<http://www.intergrain.com.au>)

Installation requirements

Surface fixed



Seating

Type 02 Seat

Specification

The Classic Plaza Seat features slender battens in a wave profile, available with arm rests.

Dimensions: 1750mm (L) x 420mm (H) x 625mm (D)

Materials

Eco-certified Jarrah Hardwood battens
Stainless Steel frame

Finishes

Battens painted in Brunswick Green
Frame finished in Black colour

Precinct

Parks
Coastal

Proprietary product

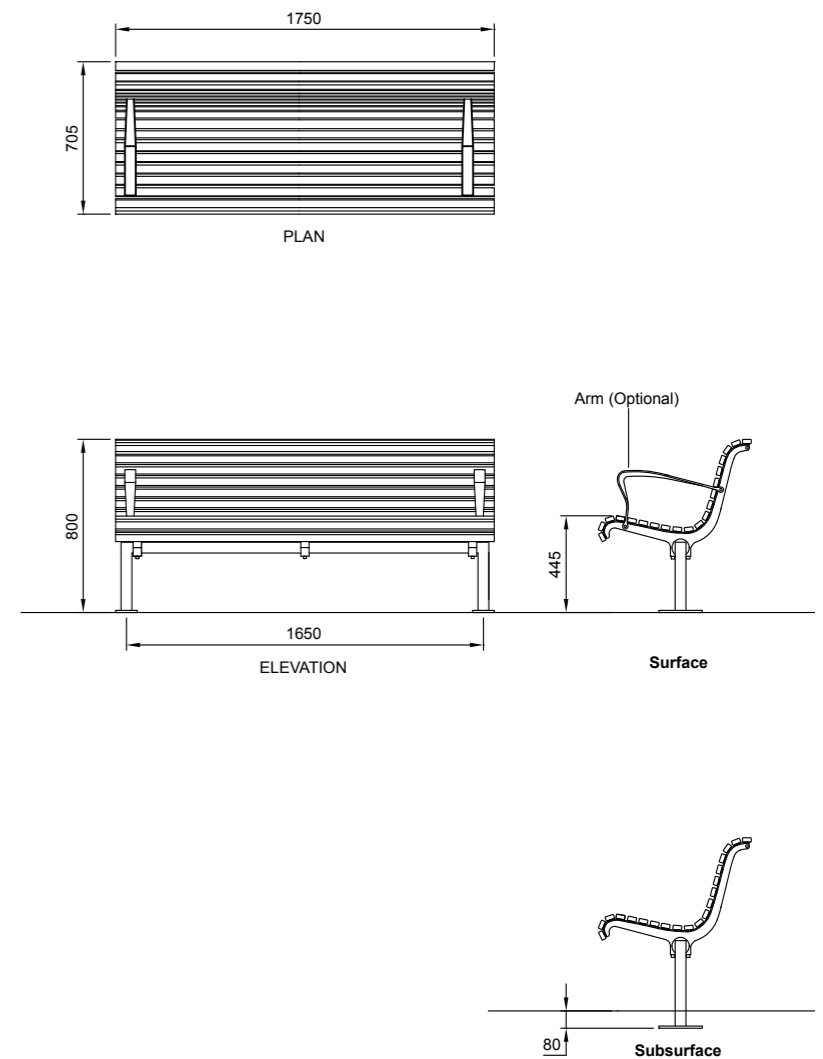
Classic Plaza Seat

Supplier

Street Furniture Australia (<http://www.streetfurniture.com>)

Installation requirements

Surface or Subsurface fixed



Seating

Type 03 Seat

Specification

The Classic Galleria Bench features slender battens in a wave profile.

Dimensions: 1500-2000mm (L) x 420mm (H) x 625mm (D)

Materials

Eco-certified Jarrah Hardwood battens

Stainless Steel frame

Finishes

Battens oiled - Jarrah colour

Custom Logo discs applied to each side of frame

Frame finished in Night Sky Satin (Black)

Precinct

Urban

Parks

Coastal

Proprietary product

Classic Galleria Bench

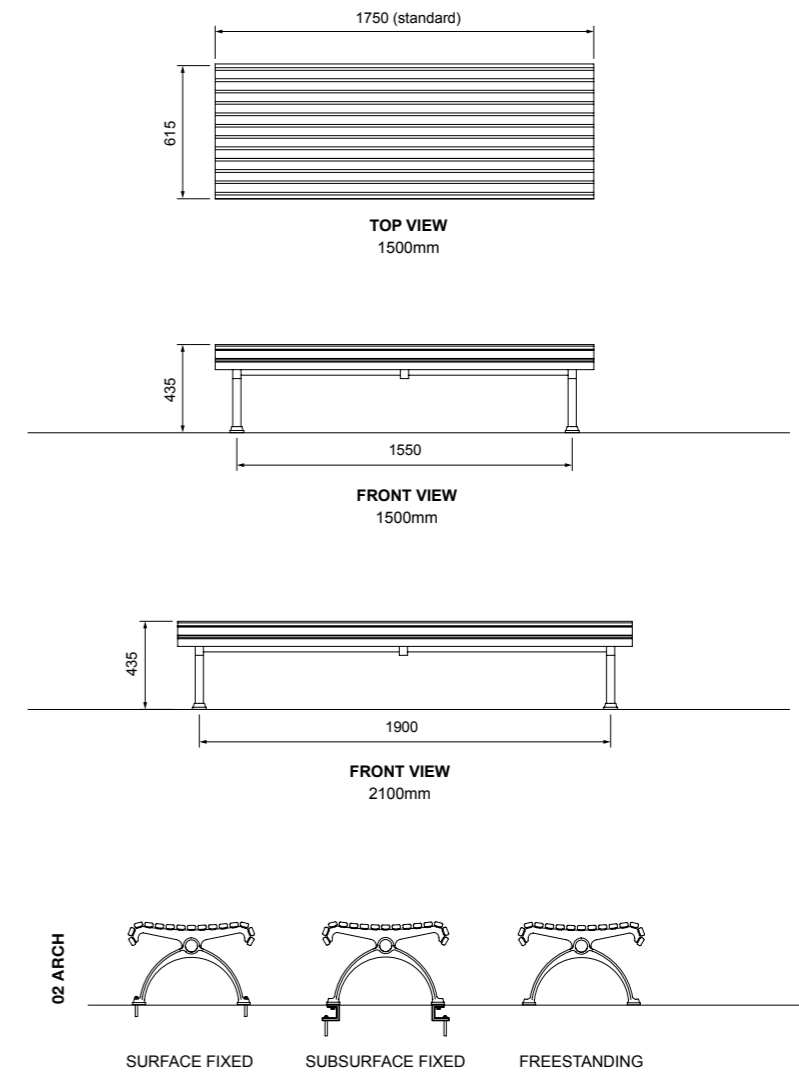
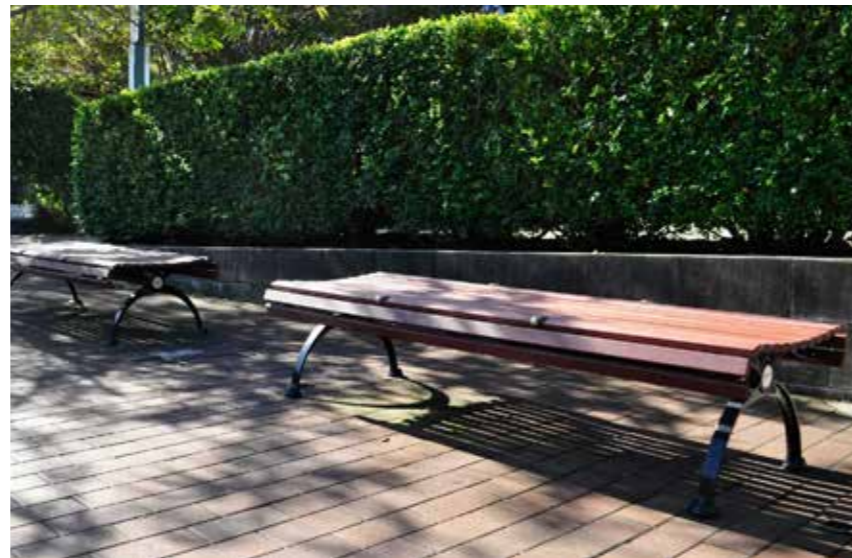
Supplier

Street Furniture Australia (<http://www.streetfurniture.com>)

Oil - Nature's Timber Oil (<http://www.intergrain.com.au>)

Installation requirements

Surface or Subsurface fixed



Seating

Type 05 Seat

Specification

Timber batten bench or seat designed to mount on walls. Suitable for use in areas where limited access behind seating such as garden beds and retaining walls. Steel supports can be fitted to form a backrest and arm rests.

Materials

Hardwood batten seat and back rest
 Alternative material Composite wood
 Stainless steel edging and support

Finishes

Hardwood oiled

Precinct

Coastal

Proprietary product

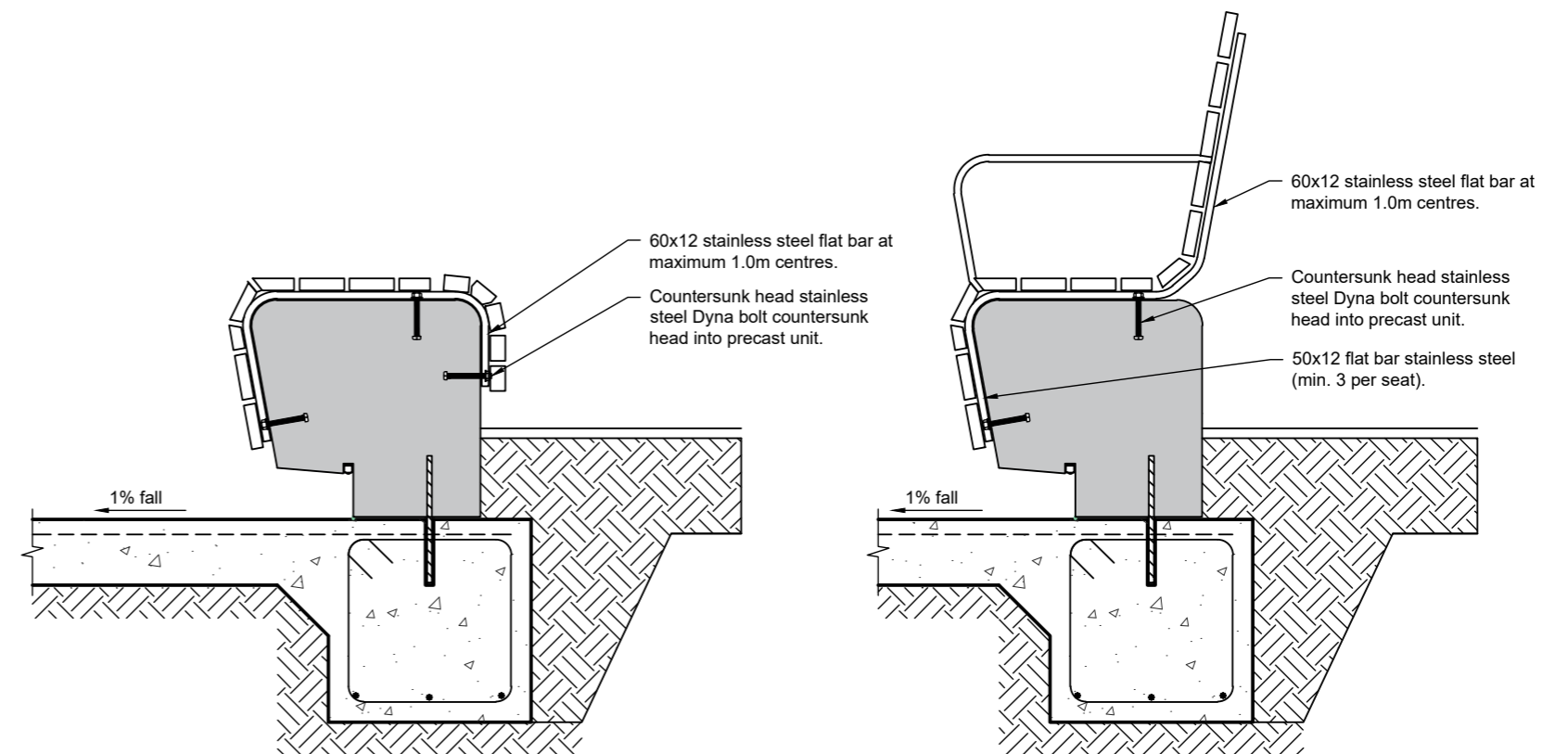
Bondi

Supplier

StraBe (<http://strabe.com.au>) or approved equivalent

Installation requirements

Consultation with supplier recommended



Seating

Type 06 Seat

Specification

Modular in nature, the collection offers an array of seat combinations including timber, powder coated steel, or lightbox elements that can be linked.

Length options:

One Seater - 500mm

Two Seater - 1000mm

Three Seater - 1500mm

Four Seater - 2000mm

Materials

Glass-Fibre Reinforced Concrete (with oxide options)

Hardwood Kwila Timber Slats/ Hardwood Tonka Timber Slats

Galvanised mild steel frame and arm rests

Finishes

Finish Options for concrete:

Primary (Clear Penetrative Sealer/ Wet Spray Painted Finish)

Secondary (Anti-Graffiti Clear/ Anti-Slip Texture)

Precinct

Urban

Coastal

Proprietary product

Flinders Suite

Supplier

Street + Garden (<http://streetandgarden.com>)

Installation requirements

4 x M12 Threaded rod Chemset into concrete.

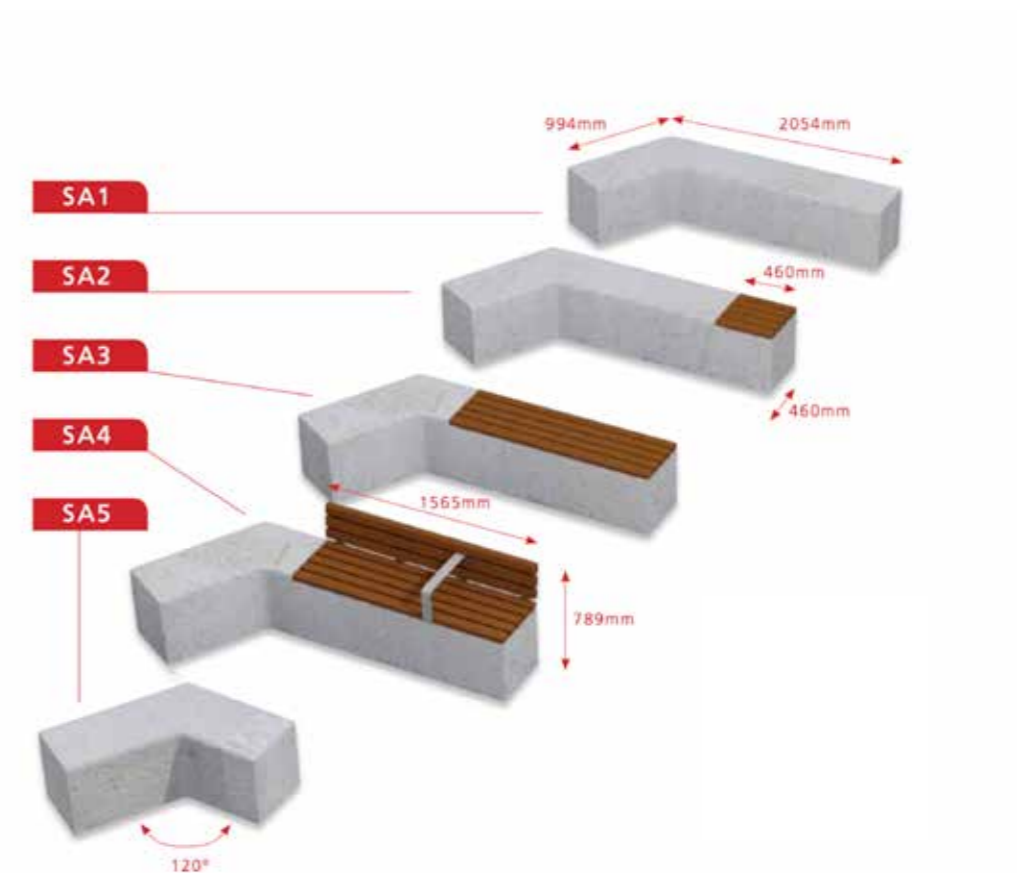
Sikaflex around perimeter of base

Notes

Remove grime with damp cloth.

Apply mild automotive polish to maintain original appearance

Standard 1 yr warranty on finishes and 5 year warranty on structure



Paving

Type 01 Paving

Specification

Existing brick paving
 Bowral London Chestnut (infill paver) - 230mm (L) x 114mm (W) x 65mm (H)
 PGH Lasseter Gold (header paver) - 230mm (L) x 114mm (W) x 50mm (H)

Materials

Clay

Finishes

NA

Precinct

Urban - major and minor

Proprietary product

PGH Lasseter Gold (header paver) or
 Littlehampton Hills Gold (header paver)
 Bowral London Chestnut (infill paver)

Supplier

PGH (<http://www.pghbricks.com.au>)
 Littlehampton (<http://www.littlehamptonbrick.com.au>)
 Bowral bricks supplied Austral Bricks (<https://australbricks.com.au>)

Installation requirements

Concrete base as per detail

Notes

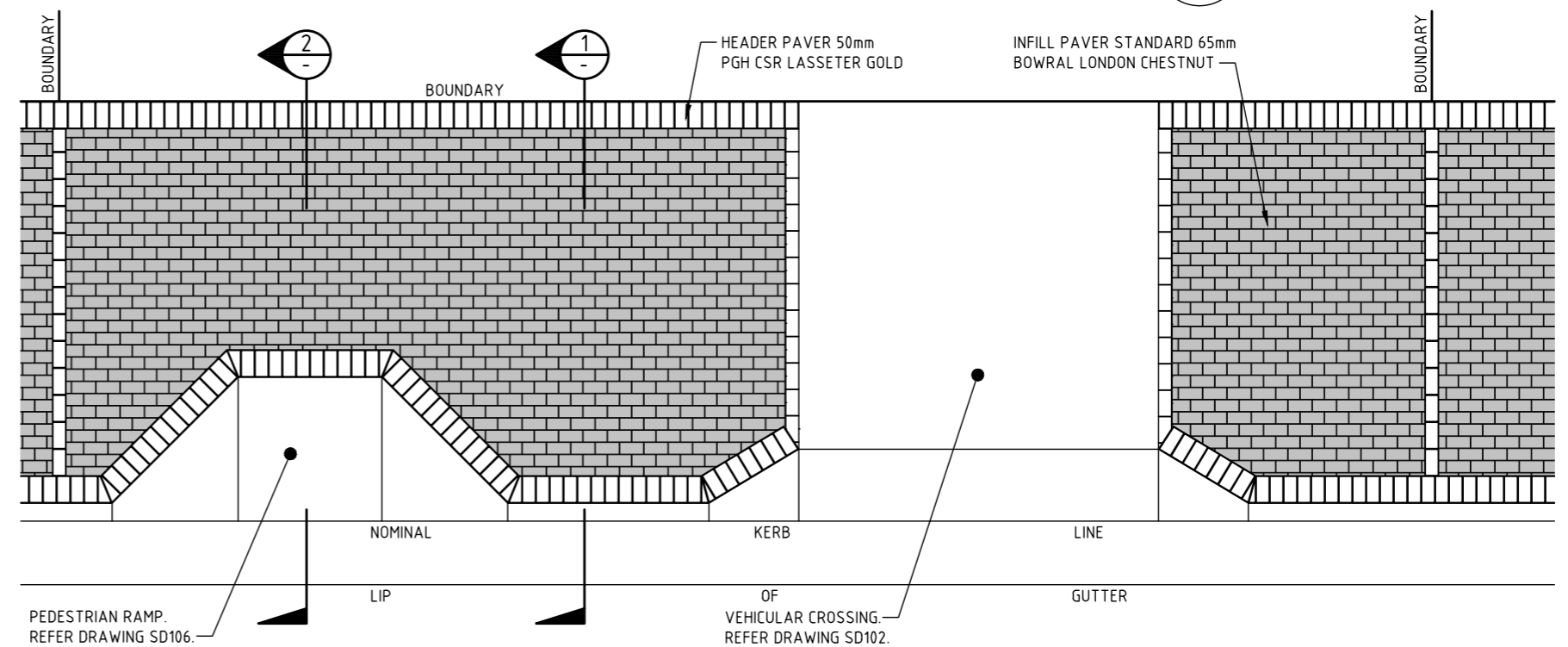
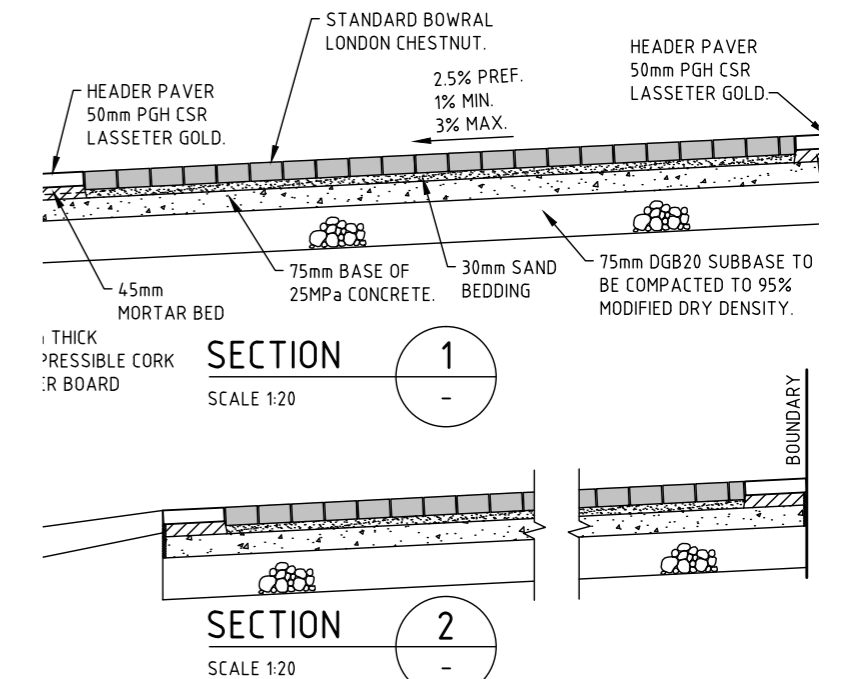
P5 slip resistance
 Exposure grade



infill paver



header paver



Paving

Type 02 Paving

Specification

Existing paving along Balmoral Beach

Materials

10mm basalt exposed aggregate mix with black oxide

10mm limestone exposed aggregate mix with grey cement

Finishes

Agreed on site

Precinct

Coastal - Balmoral Foreshore

Proprietary product

Not available

Supplier

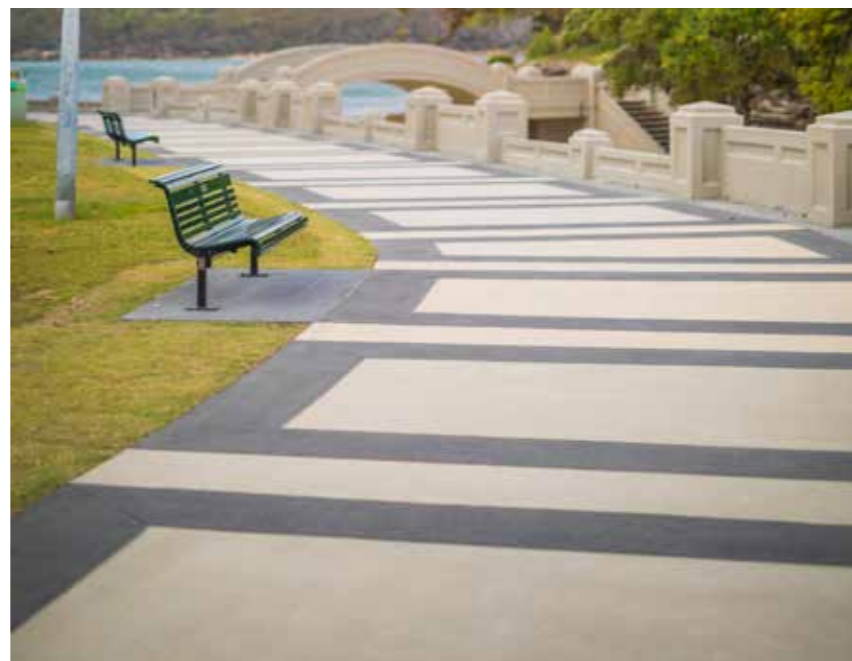
Not available

Installation requirements

Concrete base

Notes

N/A



Paving

Type 03 Paving

Specification

Concrete footpath

Materials

Concrete

Finishes

Broom finish

Precinct

Urban
Coastal
Park

Proprietary product

N/A

Supplier

N/A

Installation requirements

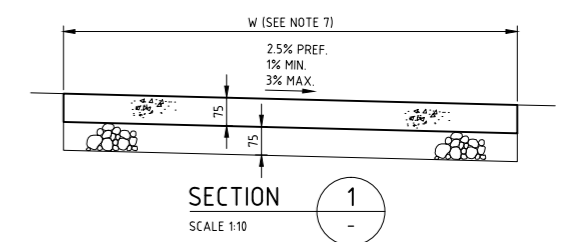
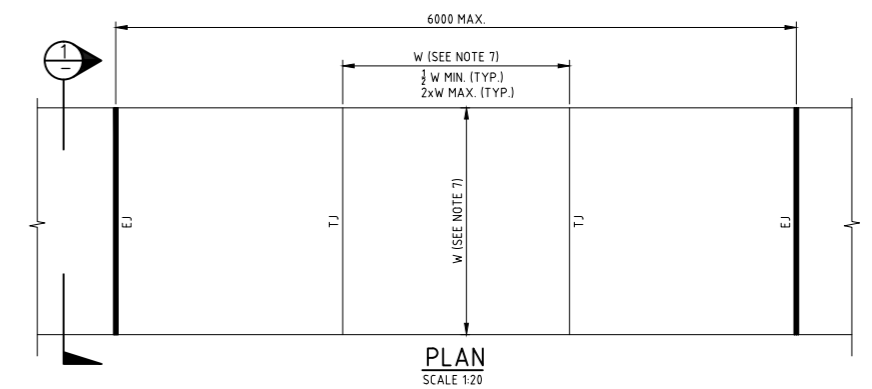
Concrete base as per detail

Notes

Broom finish at 90° to the direction of travel
Width is 1400mm unless instructed otherwise



standard concrete paving



Kerbs and edging

Heritage Sandstone Kerb

Specification

Heritage type kerb
Maintain or reuse existing kerb stones in areas that currently have this kerb type

Materials

Sandstone

Finishes

N/A

Recommended locations

Existing locations

Supplier

N/A

Installation requirements

Refer to Council's Engineering department

Notes

N/A



Indicative design

Kerbs and edging

Heritage Park Edging

Specification

Heritage type edging
Plain concrete with high durability

Suggested dimensions:
Approx. 120mm above footpath x 150mm width (75mm radius)

Materials

Concrete

Finishes

Class 2

Recommended locations

Coastal
Parks

Supplier

N/A

Installation requirements

Concrete base (110mm)

Notes

Slip Resistance should be P4 (low risk) as a minimum



Indicative design

Kerbs and edging

Sandstone Edging

Specification

Sandstone edging constructed with ballast or random dimension stone

Average dimension:
300mm x 200/100mm x 100mm

Materials

Sandstone

Finishes

Rock face or Convict picks

Precinct

Park

Proprietary product

Sandstone ballast or random dimension

Supplier

ANL (<https://anlscape.com.au>)

Installation requirements

Mortar base

Notes

Generally installed between bushland or garden beds and lawns to control the spread of grass and assist with mowing and garden maintenance.



Lighting

Type 01 Lighting

Specification

Post Top Street Light
LED Lamp

Materials

Pole: Steel
Housing: Marine-grade, die-cast aluminium

Finishes

Pole: 2 Pack Epoxy Finish, Dulux Mid Grey
Housing: RAL 9004 Fine Textured Black

Recommended locations

Urban

Proprietary product

Housing: 108-1317
Lamp: As per requirements

Supplier

Housing and Lamp: WE-EF (<http://www.lightculture.com.au>)

Installation requirements

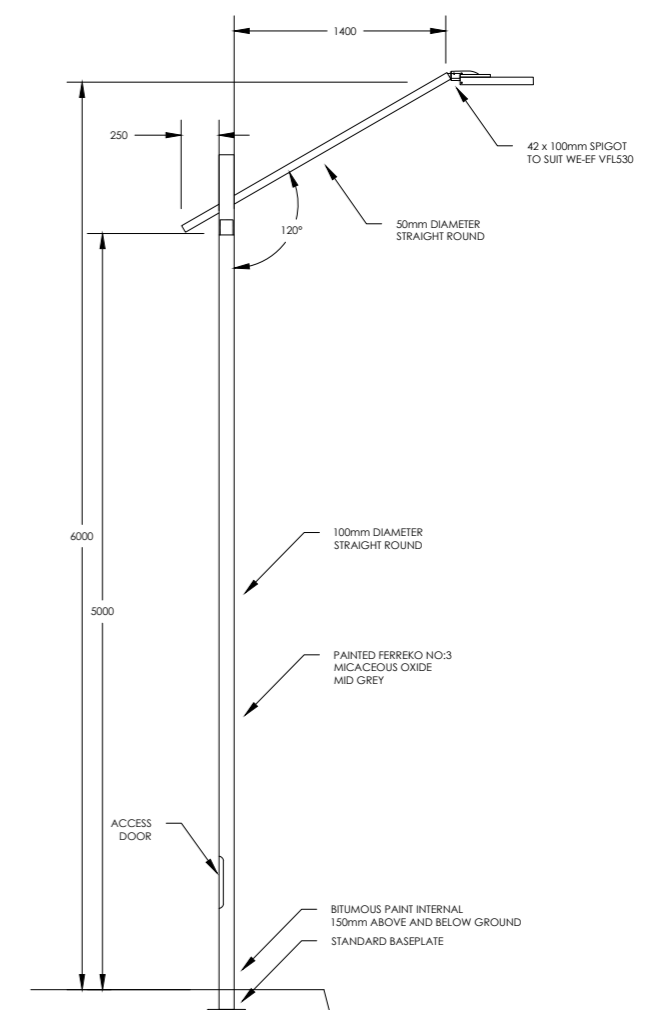
Not available

Notes

This item is under review, Council have yet to determine the suitability and availability of this product, under these circumstances products used may vary.



Existing light pole currently used in Civic Lane



02 POLE & WE-EF VFL LUMINAIRE DETAILS
SCALE 1:20 @ A1

Lighting

Type 02 Lighting

Specification

Existing light pole
LED

Materials

Steel pole

Finishes

Anodised Finish
Satin Steel Blue from Universal anodises

Recommended locations

Urban

Proprietary product

Not available

Supplier

Not available

Installation requirements

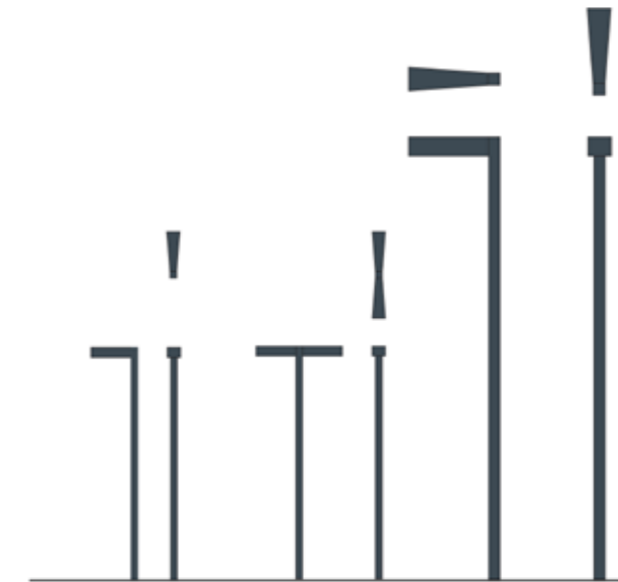
Not available

Notes

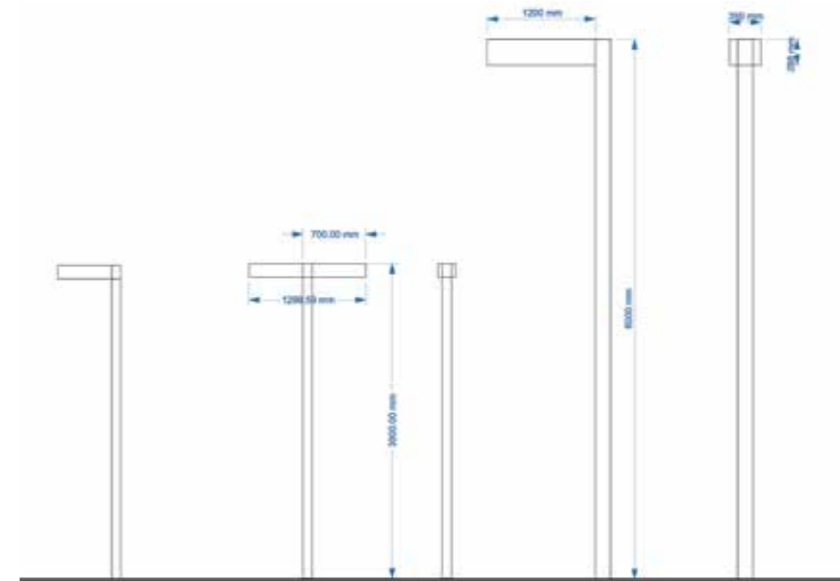
This item is under review, Council have yet to determine the suitability and availability of this product, under these circumstances products used may vary.



Existing light pole currently used in Mosman



Indicative plan, front and side views of the different configurations



Indicative dimensions

Lighting

Type 03.1 Lighting

Specification

Pole mounted luminaire with bracket
 LED
 Uniform style elements
 Minimalist luminaire design
 Displaced de for street and footpath lighting

Materials

Aluminium luminaire housing
 Clear tempered safety glass
 Galvanised steel pole

Finishes

Galvanised Steel
 Choice of any RAL

Recommended locations

Urban

Proprietary product

Linea single LED
 Linea double LED
 Linea displaced double LED

Supplier

Hess (www.hess.com)
 Supplied in Australia by Form & Light (formandlight.com.au)

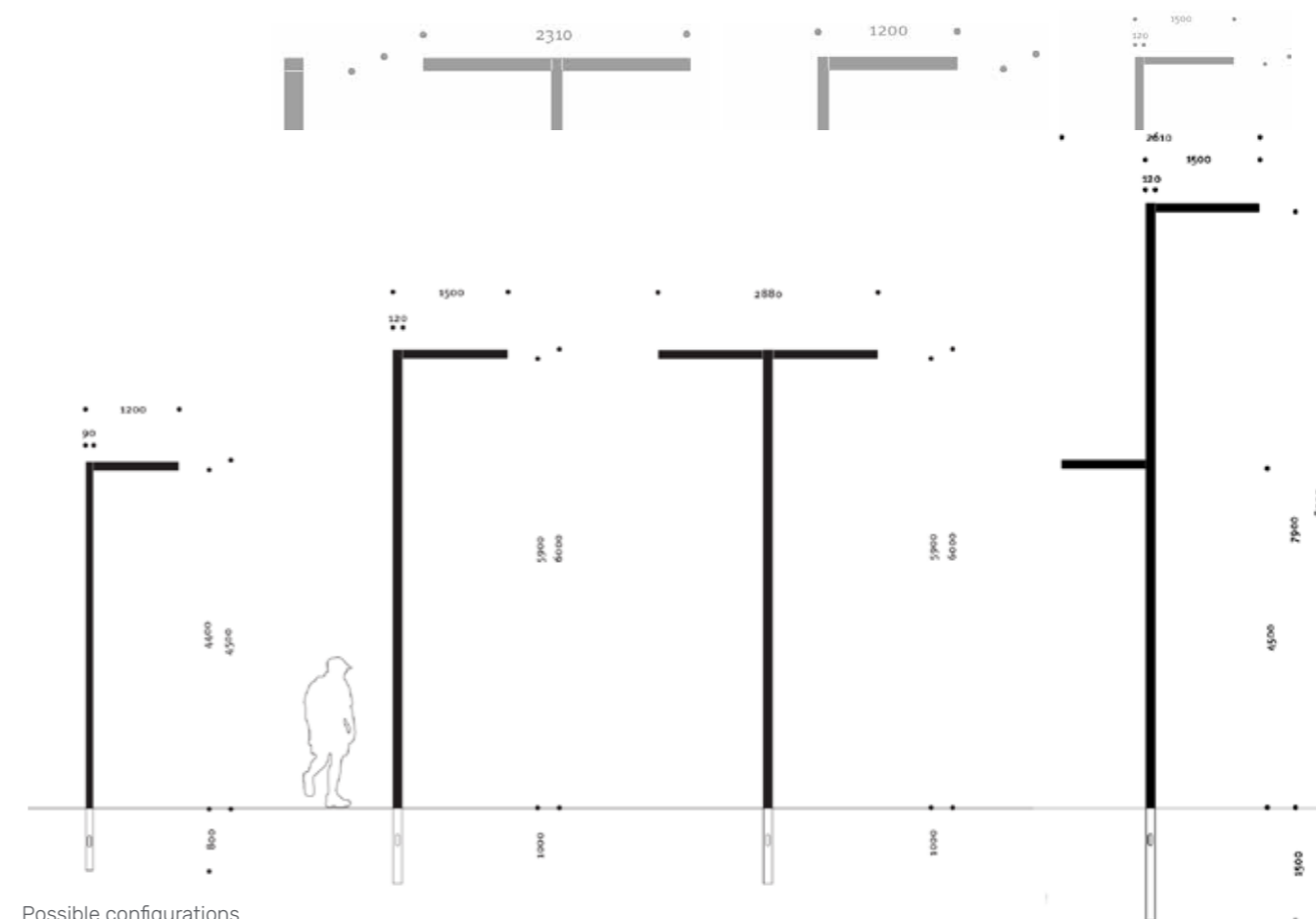
Installation requirements

Position the luminaire to avoid extended viewing into the luminaire at a distance of less than 0,4m
 Concrete footing

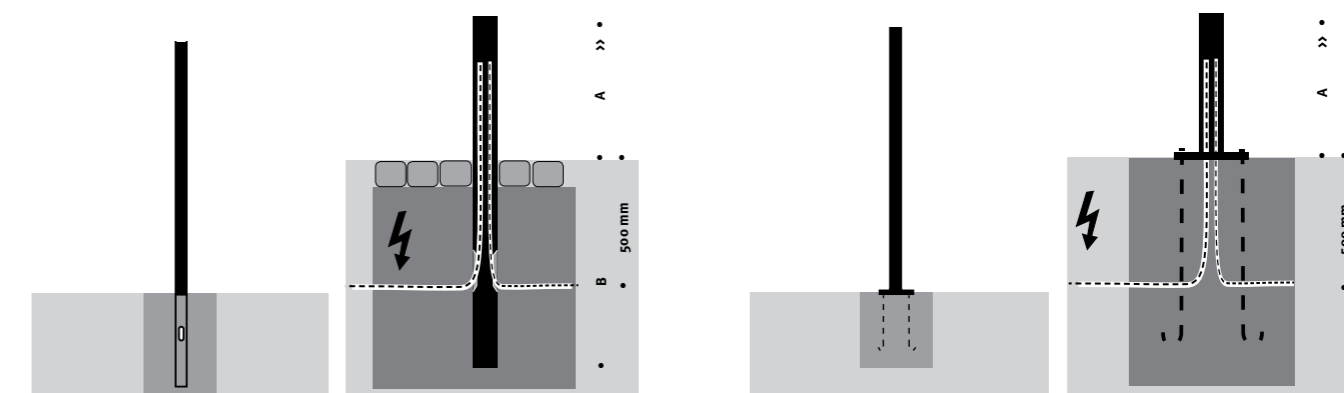
Notes

Height: 4500, 6000 or 8000mm
 Overhang: 1200 or 1500mm

This item is under review, Council have yet to determine the suitability and availability of this product, under these circumstances products used may vary.



Possible configurations



Installation options

Lighting

Type 03.2 Lighting

Specification

Illuminating bollard
LED
Minimalist design
Optimal illumination of foot paths and building entrances
Standard-conforming pathway lighting with minimal energy consumption
Highly vandal resistant

Materials

Galvanised steel pole
Glass cover of polycarbonate

Finishes

Galvanised Steel
Choice of any RAL

Recommended locations

Urban

Proprietary product

Linea LED Bollard

Supplier

Hess (www.hess.com)
Supplied in Australia by Form & Light (formandlight.com.au)

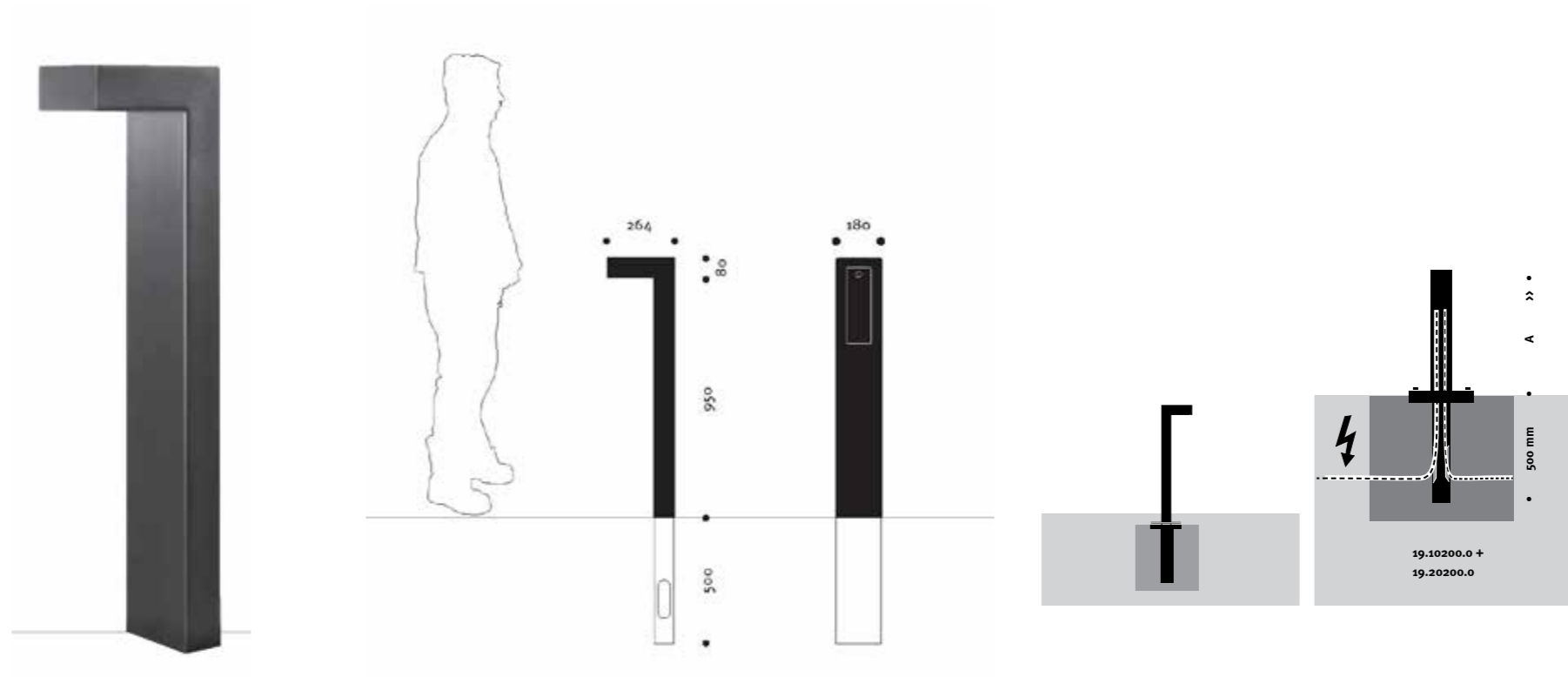
Installation requirements

Concrete footing

Notes

Total height above ground 1030mm.

This item is under review, Council have yet to determine the suitability and availability of this product, under these circumstances products used may vary.



Barbecue

Type 01 Barbecue

Specification

Fully accessible double electric barbecue suitable for parks and recreational areas. Timed cooking hot plate made from 316 stainless steel with two-year warranty and lifetime warranty for structural failures.

Dimensions: 950mm (W) x 1900mm (L) x 850mm (H)

Materials

Stainless steel and aluminium

Finishes

Powder coated (aluminium)

Precinct

Coastal
Parks

Proprietary product

Frontier Double BBQ

Supplier

Grillex (<https://grillex.com.au>)

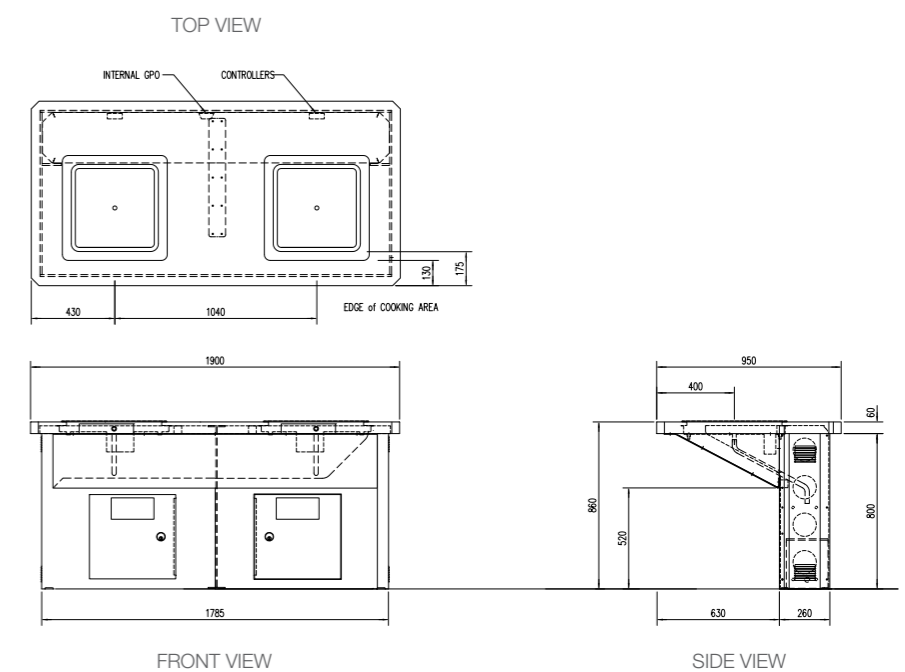
Supplied by Unisite Group (<http://www.unisitegroup.com.au>)

Installation requirements

Surface fixed

Notes

Fully tested and certified to Australian standards.



Rubbish Bin

Type 01 Rubbish Bin

Specification

Developed to be fire retardant and graffiti resistant suitable for the heavy demands of public spaces. The patented design of Gossi Park enclosures secures a standard wast bin within a lockable cabinet while restricting the airflow reducing the intensity of a fire.

Dimensions: 930mm (W) x 1360mm (H) x 710mm (D)

Materials

Extruded aluminium

Finishes

Anodised finish - Olive Mist to cabinet and hood

Precinct

Urban
Coastal
Parks

Proprietary product

Bayside Bin Enclosure 240L capacity

Supplier

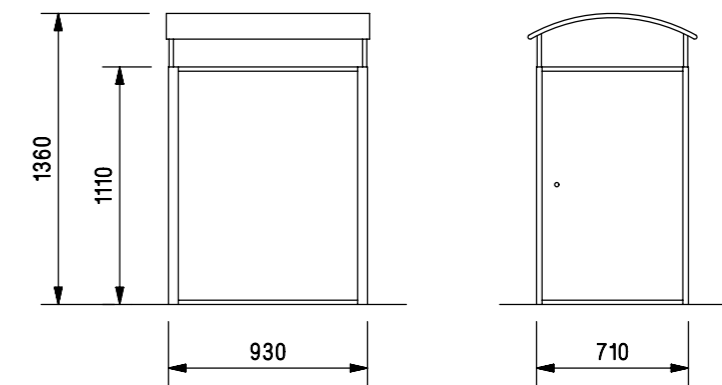
Gossi Park and Street Furniture (<http://gossi.com.au>)

Installation requirements

Surface fixed - Bolt Down with silicone sealant

Notes

The door secures with a slam lock, accessible on the left side of the unit



Rubbish Bin

Type 02 Rubbish Bin

Specification

A robust, vandal resistant unit suitable for 120 litre capacity bin.

Dimensions: 645mm (W) x 1160mm (H) x 645mm (D)

Materials

Hardwood slats, aluminium frame and hood

Finishes

Slats, oiled Battens - Jarrah colour

Hood, powder coated in Brunswick Green

Precinct

Urban - Mosman Square

Proprietary product

Town & Park MB.T3 Bin

Supplier

Town & Park (<http://townandpark.com.au>)

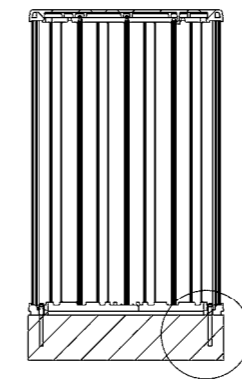
Oil - Nature's Timber Oil (<http://www.intergrain.com.au>)

Installation requirements

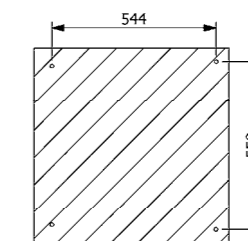
Surface fixed - Bolt Down

Notes

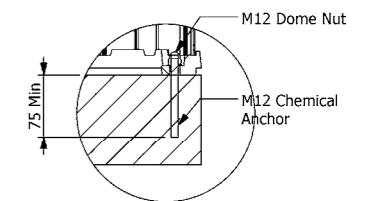
N/A



SECTION B-B



SECTION A-A
Floor Plan



DETAIL C

Bollards

Type 01 Bollard

Specification

Traditional style bollard in cast aluminium
Dimensions: 940mm (H) x 250mm (W)

Materials

Cast Aluminium Powder Coated
Concrete base

Finishes

Powder coat - Heritage Green

Precinct

Urban
Coastal

Proprietary product

B4

Supplier

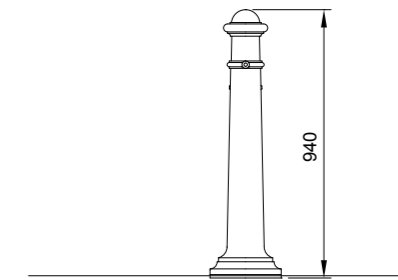
Street Furniture Australia (<http://streetfurniture.com/au/>)

Installation requirements

Surface mounted, Subsurface mounted, Removable Surface fixed or Removable In-ground

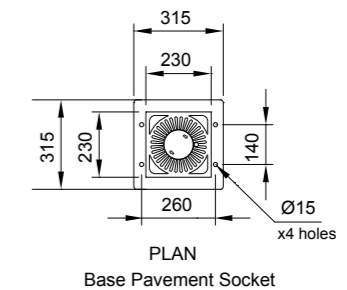
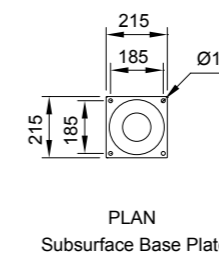
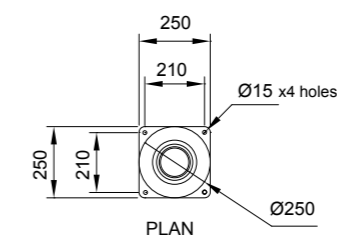
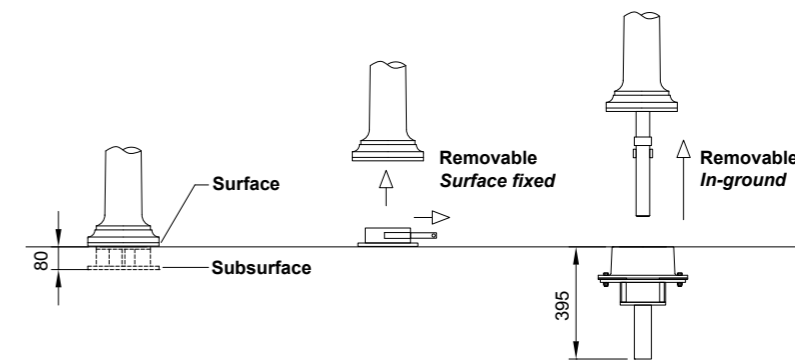
Notes

Chain link option



B4 Traditional

Mounting Options



Bollards

Type 02 Bollard

Specification

Stainless steel angled bollard
Dimensions: 1050mm x 230mm
45 degree angle

Materials

304 Grade stainless steel

Finishes

Stainless steel

Precinct

Urban
Coastal
Parks

Proprietary product

Designer Edge Bollard

Supplier

Australian Bollards
<http://www.australianbollards.com.au>

Installation requirements

Sub-Surface mounted, Internal mounting frame bolted with 1 x M16.

Notes

NA



Bollards

Type 03 Bollard

Specification

A square timber bollard

Dimensions: 125-150mm(W) x 125-150mm (D) x 1500mm (H)

Materials

Timber

Finishes

Paint - Dulux Ticking

Precinct

Urban

Parks

Proprietary product

N/A

Supplier

N/A

Installation requirements

Inground

Notes

Customisation available including vehicle reflector



Bollards

Type 04 Bollard

Specification

Sandstone heritage bollard

Dimensions: 125-150mm(W) x 125-150mm (D) x 1500mm (H)

Materials

Sandstone

Finishes

N/A

Precinct

Myahgah Road (Mosman Square)

Proprietary product

N/A

Supplier

N/A

Installation requirements

Inground

Notes

N/A



Bike Hoops

Type 01 Bike Hoop

Specification

Full steel bicycle stand
Dimensions 850mm (H) x 845mm (W) x 70mm Ø

Materials

Stainless steel 304, 316 or mild steel

Finishes

Stainless Brushed or Mild Zinc Phosphate, Hot Dipped Galvanised, Powder Coat

Precinct

Urban
Coastal
Parks

Proprietary product

Semi Hoop

Supplier

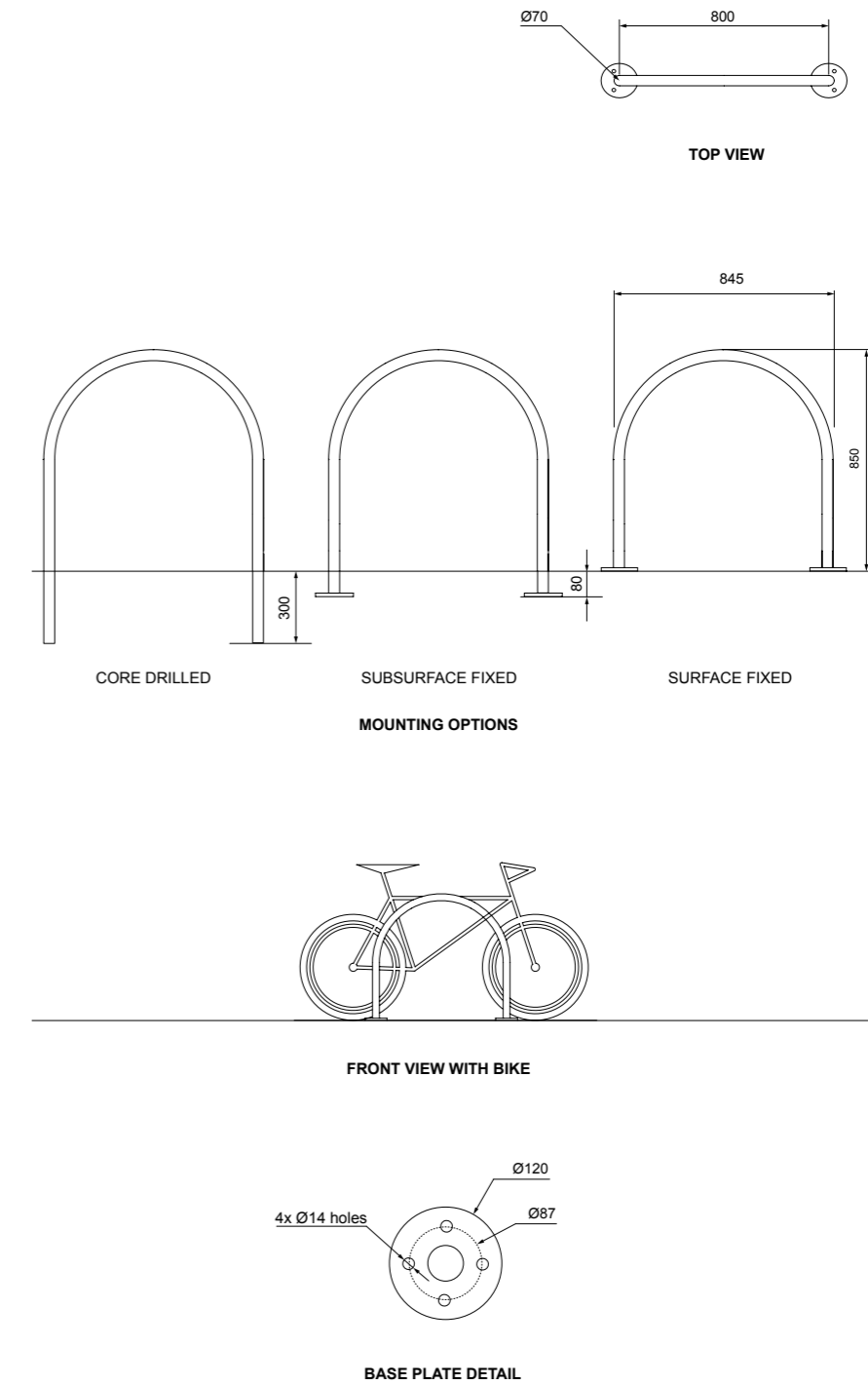
Multiple suppliers including:
Street Furniture Australia (<http://streetfurniture.com/au/>)

Installation requirements

Surface Fixed
Subsurface Fixed
Core Drilled

Notes

NA



Bike Hoops

Type 02 Bike Hoop

Specification

Corkscrew Bike Rack

Dimensions 805mm (H) x 900mm (W) x 900 - 4200 (L)

Materials

316 Stainless steel

Finishes

Satin Polished

Precinct

Urban

Coastal

Proprietary product

Spiral Bike Rack

Supplier

Commercial System Australia (www.commercialsystems.com.au)

or approved equivalent

Installation requirements

Subsurface Fixed

Surface Fixed

Notes

NA



Outdoor Shower

Type 01 Shower

Specification

As per elevations

Materials

Stainless steel, timber, chrome

Finishes

Satin

Precinct

Coastal

Proprietary product

Bespoke wall mount shower

Supplier

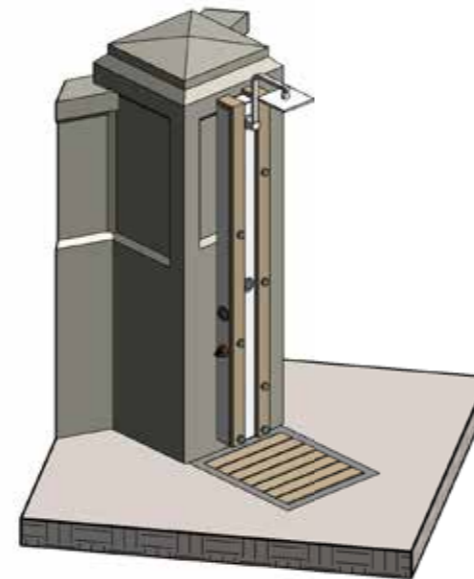
Custom built

Installation requirements

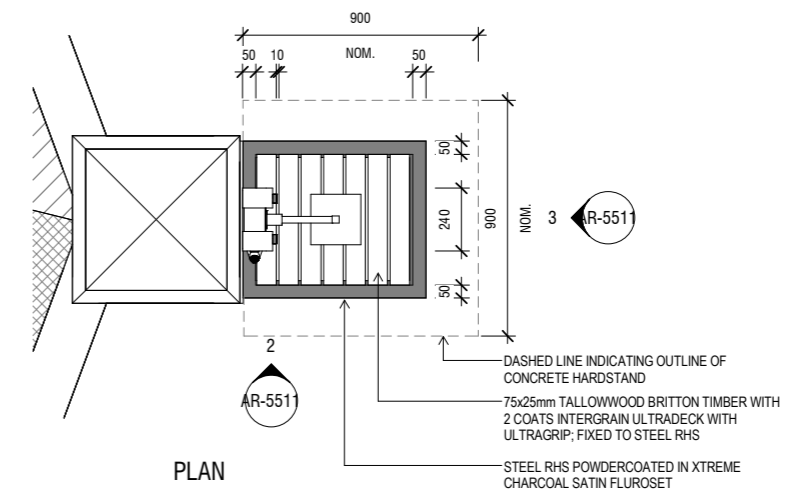
As per elevations

Notes

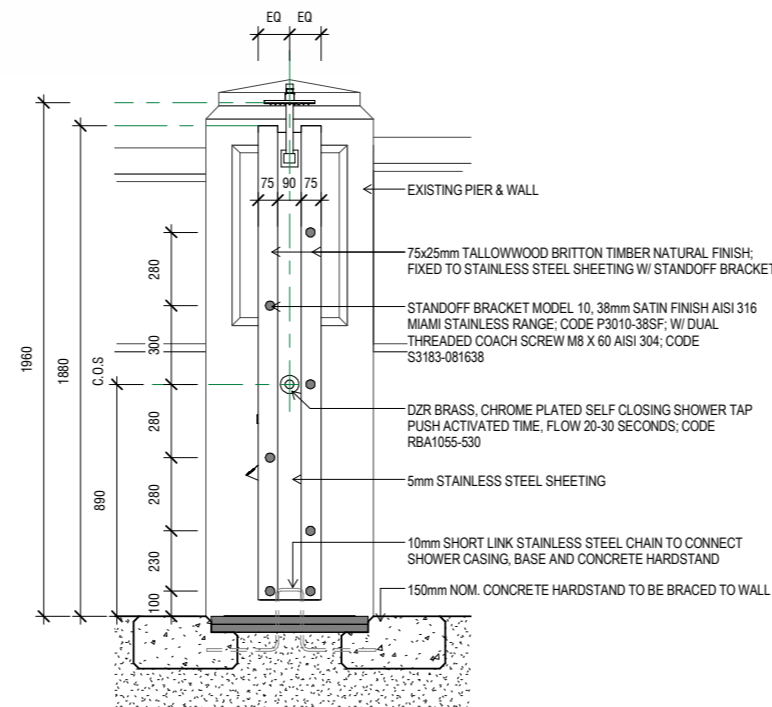
Designed by Mode (Surry Hills)



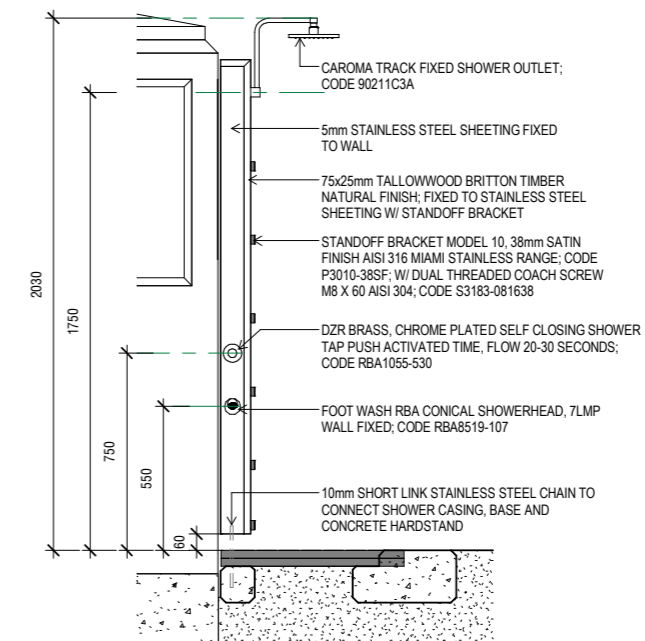
3D WALL MOUNT SHOWER



PLAN



ELEVATION 1



ELEVATION 2

Banner Poles

Type 01 Pole

Specification

Simple pole attachment for existing light poles.

Materials

Aluminium and stainless steel

Finishes

N/A

Precinct

Urban
Coastal

Proprietary product

N/A

Supplier

Universal Signage Solutions (<http://universalsignage.com.au>)

Installation requirements

Requires high access equipment

Notes

N/A



Banner Poles

Type 02 Pole

Specification

The HUB.Pole is a modular system that starts as an elegant and inexpensive column which, via the addition of the unique HUB Universal Mounting System (UMS), becomes a fully capable, MFP System, that can accommodate all current and future urban pole mounted accessories.

The HUB.Pole accommodates Lighting, Traffic signals, Signage, Banner, CCTV, Solar and Telecommunication accessories and can be custom modified to suite the needs of your project.

It is fully flexible in terms of:

- Pole Height
- Pole Diameter
- Accessories accommodated immediately
- Accessories accommodated in the future
- Ability to customise the aesthetics to suit the character of each city

Materials

Extruded Aluminium/ Rimex rigidised 316 stainless steel

Finishes

Clear anodised

Recommended locations

- Urban
- Coastal

Proprietary product

HUB.Pole

Supplier

HUB
<http://hub-group.com>

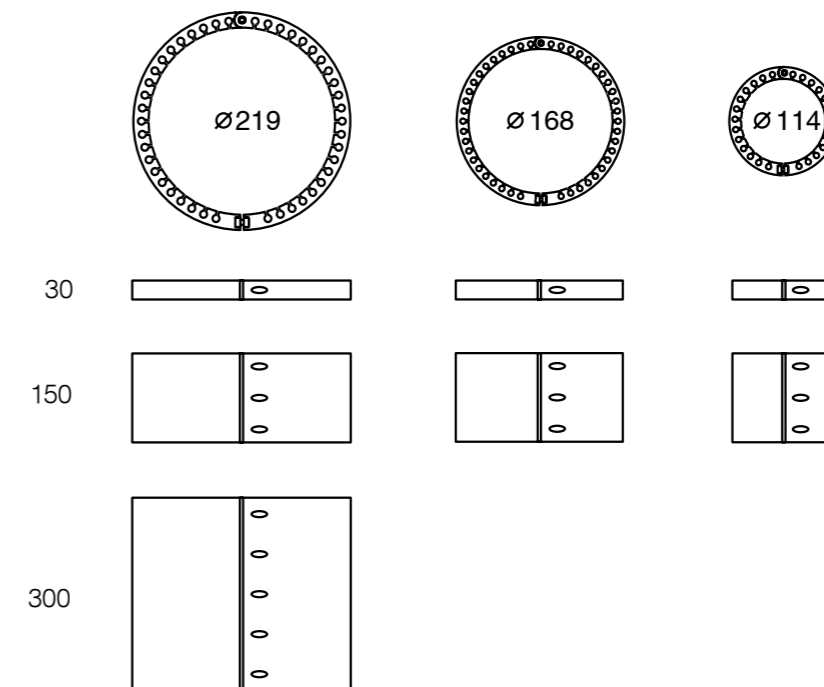
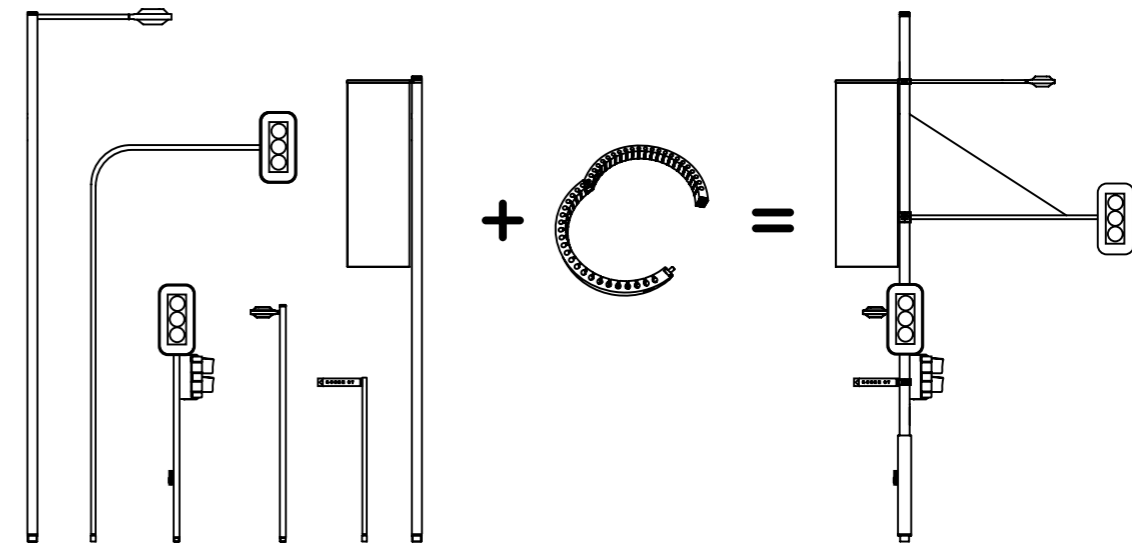
Installation requirements

M24 Stud Bent GAL bolts in concrete footing

Notes

System: uses a Universal Mounting System (UMS) which is an easy to install mounting hub giving the system its multi functionality. This represents a distinct advancement away from the traditional track based system and the inherent flaws associated with this design approach. The HUB UMS has allowed HUB to provide a more cost effective, more functional, more flexible and more universal solution to those seeking the distinct advantage offered by this type of public domain infrastructure. The HUB UMS is only applied when needed and can be added or removed at any time.

This item is under review, Council have yet to determine the suitability and availability of this product, under these circumstances products used may vary.



Banner Poles

Type 03 Pole

Specification

Aluminium banner poles designed to accommodate a range of banner systems and light fittings. The design enables banners to be hung as single banners or twin banners with poles certified to a height of 12m.

Modular system can carry additional applications such as light fittings.

An option is available that enables banner arms to be raised and lowered like a flag on a flag pole, thus removing the need for a cherry picker or access platform to change banners.

Materials

Extruded Aluminium

Finishes

Clear satin anodised 20-23 micron

Recommended locations

Urban
Coastal

Proprietary product

Multipole 300 Series

Supplier

Goldspar Group
<http://www.lightpole.com/>

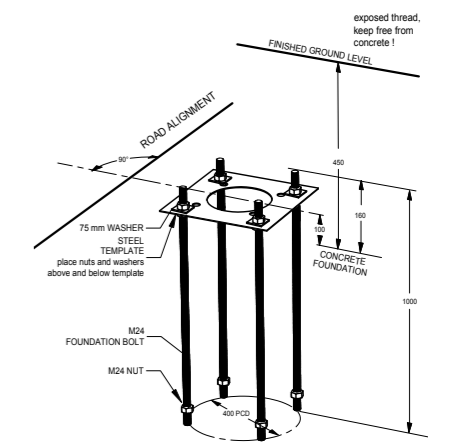
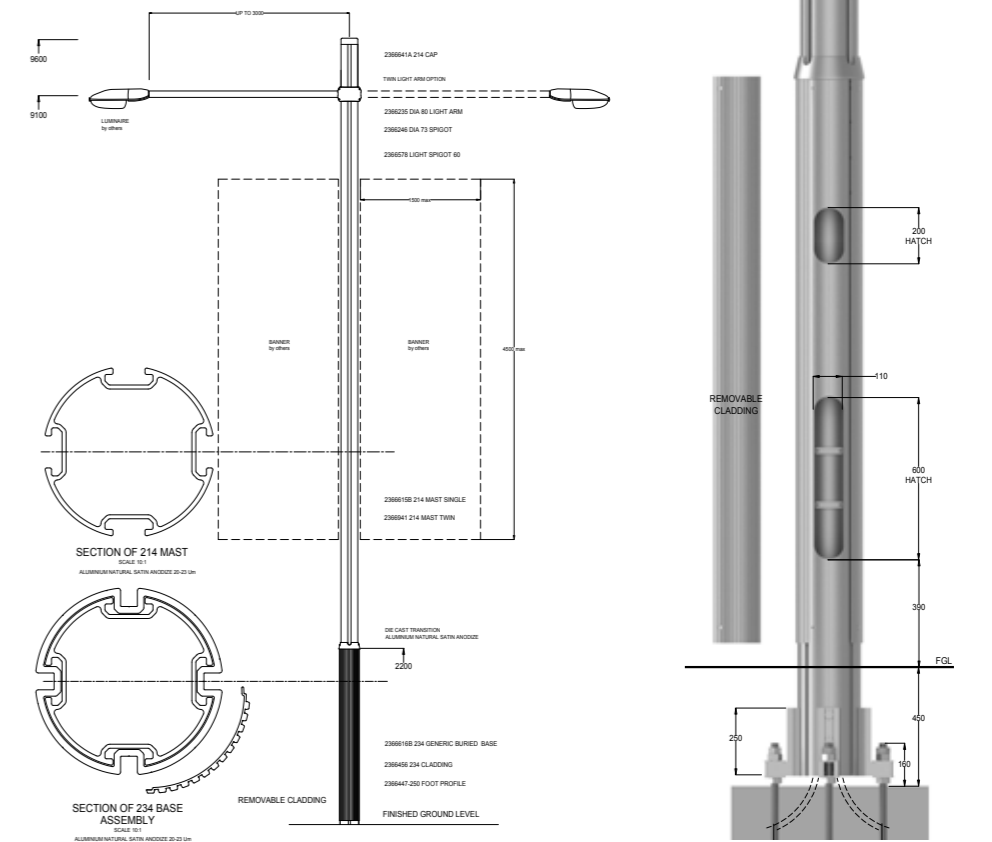
Installation requirements

Concrete foundation engineered to suit local environmental conditions

Notes

Optional Accessories: Banner raising system, PA outlets, Single or twin banner arms, Street signage, Rag bolts kits.

This item is under review, Council have yet to determine the suitability and availability of this product, under these circumstances products used may vary.



Banner Poles

Type 04 Pole

Specification

The SmartPole™ reduces streetscape clutter by accommodating a range of pole mounted accessories onto a single pole system. The SmartPole™ achieves this multi-functionality through a patented track detail integrally formed into the pole. This track provides the fixing detail into which a full range of accessories can be connected. This range of accessories includes, but is not limited to, street lighting, banners, pedestrian lighting, CCTV, telecommunications technology, feature lighting, traffic signals, VMS, signage, pedestrian signals.

The HUB.Pole system is a fully modular system that is fully flexible in terms of:

- Pole Height
- Pole Diameter
- Accessories accommodated immediately
- Accessories accommodated in the future
- Ability to customise the aesthetics to suit the character of each city

Materials

Extruded Aluminium/ Rimex rigidised 316 stainless steel

Finishes

Clear anodised

Recommended locations

Urban
Coastal

Proprietary product

Smartpole

Supplier

HUB

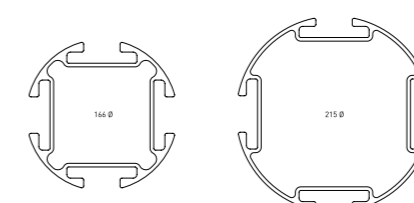
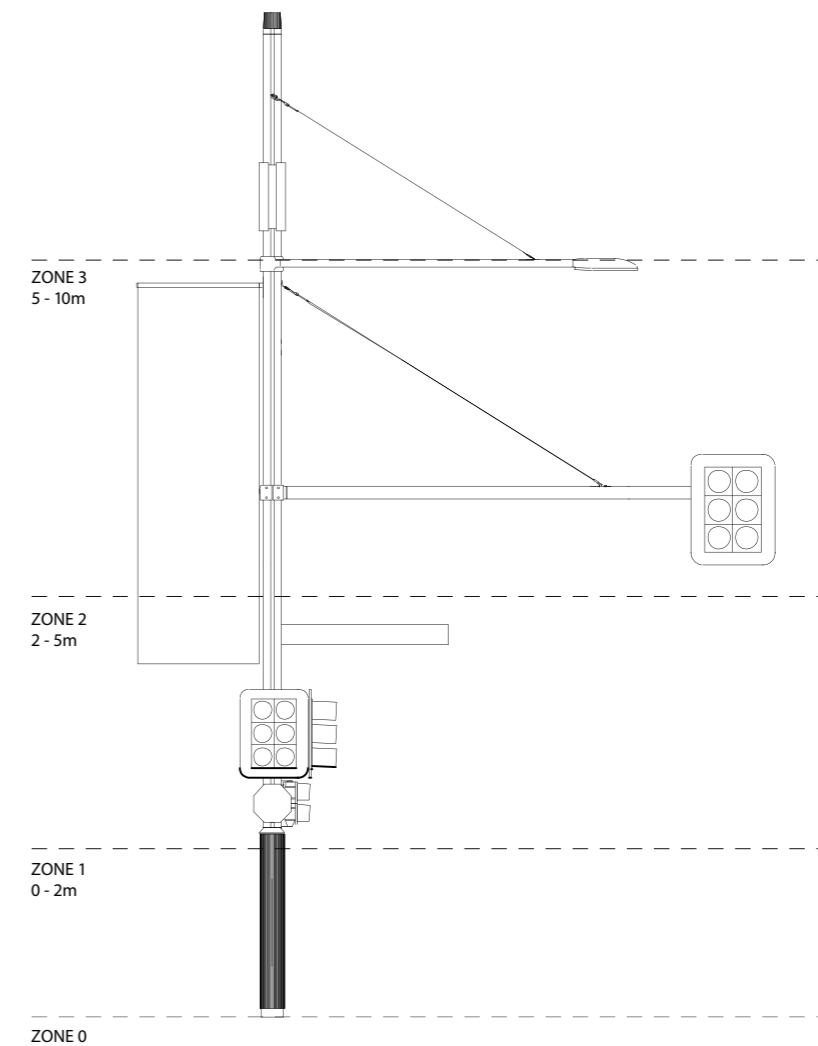
Installation requirements

M24 Stud Bent GAL bolts in concrete footing

Notes

The SmartPole™ by HUB is a track based system that relies on a unique aluminium extrusion to achieve its functionality. Accessories fix to the pole by utilizing this track which provides a discrete connection detail. The SmartPole™ by HUB is available in two sizes and is finished at ground level with a cladding solution that provides additional benefit.

This item is under review, Council have yet to determine the suitability and availability of this product, under these circumstances products used may vary.



Drinking Fountains

Type 01 Drinking fountain

Specification

Existing drinking fountain
1500mm height
Two anti-bacterial bottle refill dispensers
DDA-compliant wheelchair-accessible design
Customisable graphic panels with anti-graffiti protection
Removable panel for easy filter replacement
Two year warranty

Materials

Stainless steel
Anodised steel

Finishes

2B

Precinct

Urban
Coastal
Parks

Proprietary product

Aquafil 1500mm Refill Station and Drinking Fountain

Supplier

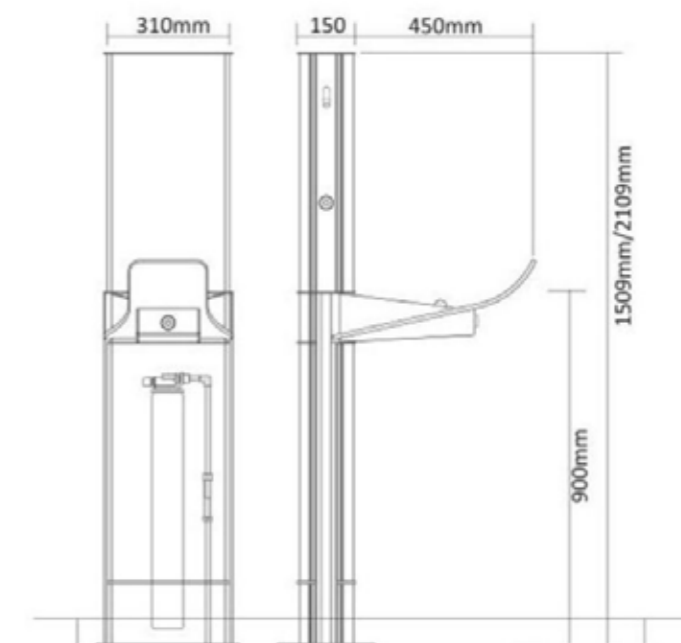
Civiq (<https://www.civiq.com.au>)

Installation requirements

Anchor bolts to concrete base

Notes

Filter unit option: Sub-micron or 5 micron
Filter unit working pressure: 10-125 psi (0.7-8.5 bar), non-shock
Water supply connection: 1/2 inch supply line with 1/2 inch male BSP connection
Drainage: 50mm PVC



Fence

Type 01 Fence

Specification

Ordinance timber fence with top and bottom rail
Dimensions to match existing

Materials

Timber

Finishes

Paint - Biscuit and Brunswick Green

Precinct

Urban
Coastal
Parks

Proprietary product

N/A

Supplier

N/A

Installation requirements

Upright posts to be set into concrete foundation

Notes

NA



Fence

Type 02 Fence

Specification

Pedestrian fence
Height varies - minimum 1150mm

Materials

Hot dipped galvanized steel

Finishes

Powder coated - ironstone matt colour

Precinct

Urban roads
Coastal roads

Proprietary product

RMS Pedestrian Fence 1

Supplier

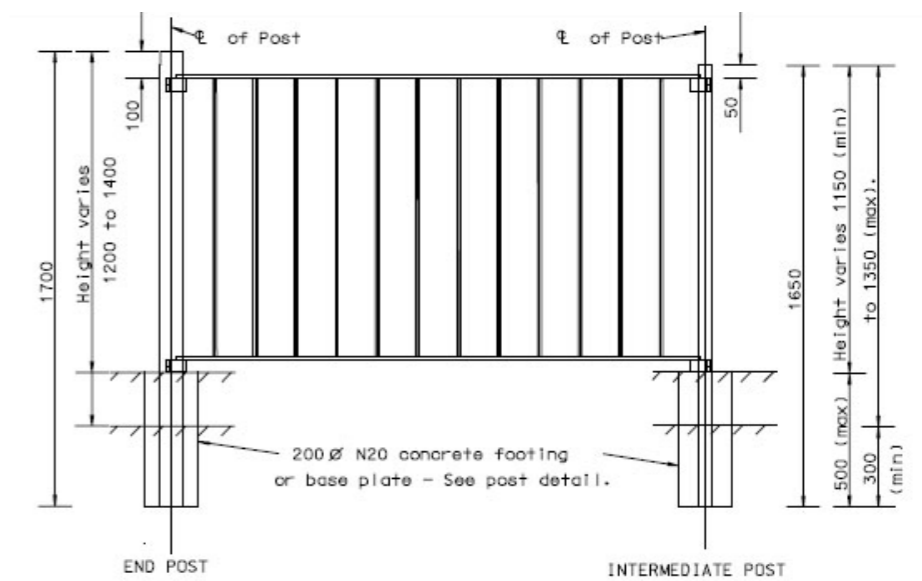
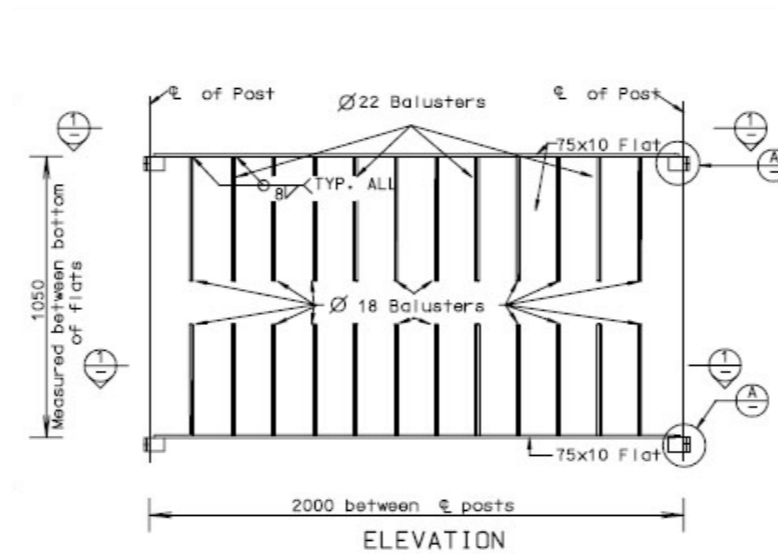
Encat (<http://www.encat.com.au>)

Installation requirements

In ground or base plate mounting

Notes

NA



Bus Shelter

Adshel style EVO MKIV - Bus Shelter

Specification

3 Bay Advertising Shelter
Square simple shapes with light structure
Glass roof structures

Materials

Powder Coated Aluminium frame
Toughened safety glass

Finishes

Powder Coated Aluminium Frame (IronStone Matt)
Etched pattern (Urban) on glass, consistent with sign style graphic. Frosted appearance

Precinct

Consistent with most locations

Proprietary product

Adshel style EVO MKIV

Supplier

Stoddart Infrastructure (<http://www.stoddart.com.au>)

Installation requirements

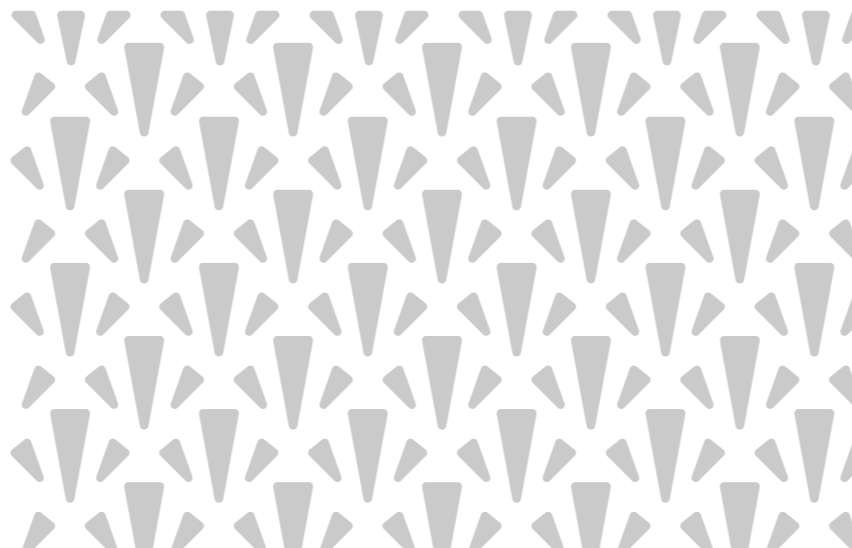
Concrete base

Notes

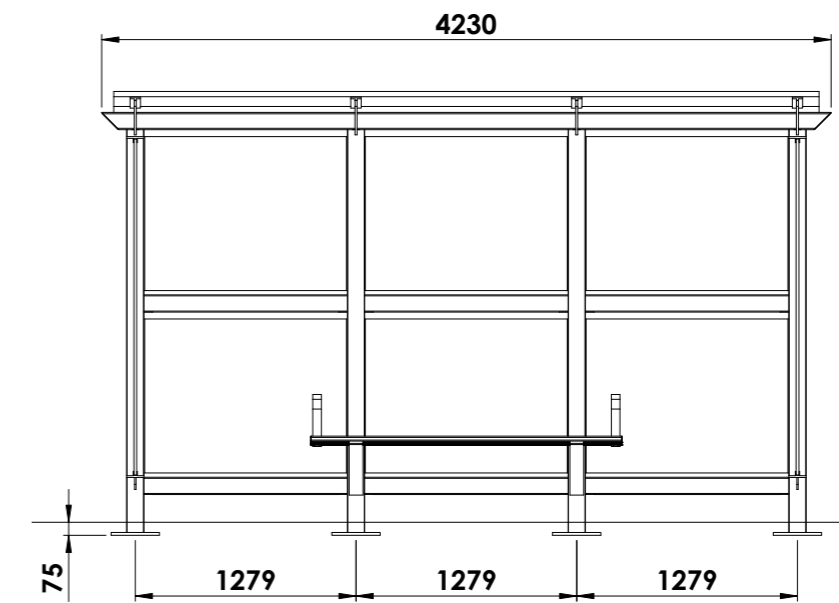
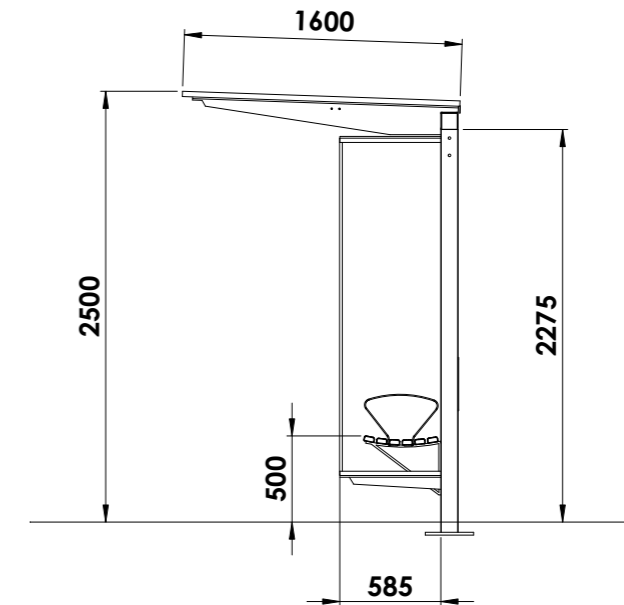
Overall dimension (mm): 4230W x 1600D x 2565H
Internal dimension (mm): 3835W x 600D x 2350H
Seat length: 1800mm



Bus shelter installed



Glass pattern



Front and side views

BLANK PAGE

